



CAMPTECH CATALOGUE 2025

www.camptech.com
HOME IS WITH YOU, WHEREVER THAT MAY BE



THE STORY OF CAMPTECH



2014

The Start Of The Journey

In June 2014, Camptech Products Limited was established.

Today, our company provides a diverse array of products, including full awnings, air awnings, and camping accessories specifically designed for caravans, campervans and motorhomes.



2018

The Year Everything Changed

In 2018, Camptech Products Limited welcomed a new UK Director, whose clear vision aimed to elevate the company to new heights.

This individual brought valuable knowledge and experience from other sectors, implementing these insights into this new venture.



2018
2023

Significant Growth

Throughout this period, we focused on making camping and caravanning accessible to all. Our efforts included product development and social media marketing.

In 2022, we witnessed significant business growth, prompting us to expand into additional warehouse spaces as the business evolved.



Celebrating 10 Years

We were thrilled to further enhance brand awareness and product knowledge with our brand video.

Our partnership with Salford City Football Club opened a new pathway for our company, allowing us to engage more deeply with the community. In 2024 we celebrated 10 years of Camptech. We started so little with few people, but we've grown in numbers and excellence.

2023
2024

The Journey Continues

As we arrive in 2025, our vision is as clear as it was when we started this journey, to continue offering products that are both reliable and affordable.

The dedication to our customers goes beyond the point of sale, ensuring that customers can continue to trust the durability and performance of our product for many years to come.

2025

CONTENTS

BUCKINGHAM DL	4	STARLINE ELITE	24	ASCOT	39
ATLANTIS DL	6	STARLINE	26	CARNIVAL WINDBREAK	40
SAVANNA DL	8	STARLINE MOTORHOME	27	BOSWORTH WINDBREAK	41
CAYMAN	10	MOTO CANTERBURY	28	QUEENSLAND	42
HAMPTON DL	12	MOTO GALA	29	ADELAIDE	44
KENSINGTON	14	MOTO CROWN	30	SUNTREK ATLAS	47
COUNT DL	16	MOTO CROWN ELITE	31	SUNTREK VENUS	48
DUKE DL	17	MOTO MONARCH	32	SUNTREK SATURN	48
COUNTESS	18	MOTO KINGSTON	33	SUNTREK PANDORA	49
DUCHESS	19	MOTO WINDSOR	34	ANNEXES & INNER TENTS	50
PRINCE DL	20	MOTO TUDOR	36	ACCESSORIES	52
PRINCESS DL	22	IVY / IVY ELITE	37		
ARCHDUKE DL	23	SUSSEX / HASTINGS	38		



Seasonal Awning



Griplock Clamp



ClimaTech SR21



Unilok Pad



Techline Buckle



Caravan

BUCKINGHAM DL



The Buckingham is our premier all-season awning, crafted from high-quality SR21 Climatech seasonal material.

The panoramic windows and 3-meter depth provide a roomy open atmosphere, maximizing your living space. Standard privacy blinds are included, and the front windows can be rolled back to create extra-wide entrances.

Additionally, all front and side panels are removable, simplifying the setup process for your awning. The Buckingham ensures comfort and versatility year-round.

The robust construction withstands various weather conditions and with its sleek design it also offers practical features like excellent ventilation and easy access.

Specifications

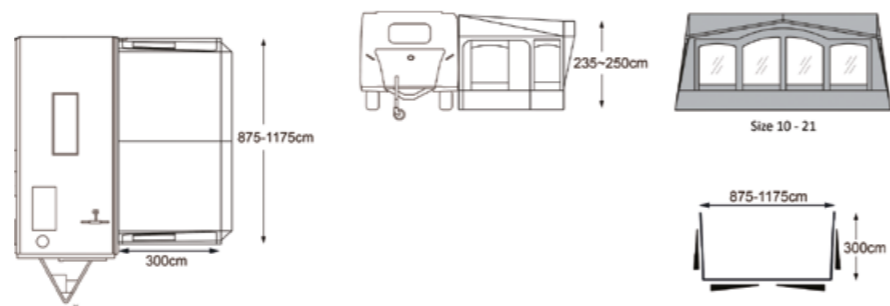
Size	Available in sizes 10 to 21
Depth	300cm
Colour	Anthracite / Light Grey
Roof Material	Climatch SR21 All Season Coated Polyester
Wall Material	Climatch SR21 All Season Coated Polyester
Front Layout	All sizes feature 4 front windows
Weight	Weight 60kg approx. (Size 14 Canvas (32.5kg) & Frame (27.5kg) Combined)
Frame	25mm/28mm Steel Frame fitted with Griplock Clamps
	Size 10 - 3 Roof Poles/3 Front Legs
	Size 11-13 - 5 Roof Poles/2 Roof Raisers/3 Front Legs
	Size 14 - 16 - 5 Roof Poles/2 Roof Raisers/5 Front Legs
	Size 17 - 19 - 5 Roof Poles/2 Roof Raisers/5 Front Legs
	Size 20 - 21 - 7 Roof Poles/2 Roof Raisers/5 Front Legs

Features Included

Privacy Blinds	Canvas Holdall Bag
Half Fly Screen Ventilation On Both Sides	Curtains
4 Wide Doors	Nylon Pegs & Peg Bag
Techline Secure Buckles	Frame Bag
Techline Zips/Ykk Zips	Ladder Bands
Figure Of 8	Unilok Bracket Pads
Draft Skirt & Wheel Arch Cover	



Dimensions



Optional Extras

SL500	Techline Secure Straps	SL595V	Roof Liner
SL580	Techline Secure Plus Strap	SL539	Unilok Bracket Pads x3
SL528	Protech Roof Raiser Pole	SL569	Griplock Clamps x3
SL527	Veranda Pole	IT018	Awning Inner Tent
SL945-K	Standard Annex	1093/1094/1095	Nova Lights
SL944-KB	Tall Annex With Blinds	1098/1099/1100	Capella Motion Sensor Lights
IT091	Tall Annex Inner Tent	SL5010	Omnibrite LED Starter Kit
	Regal Carpet	SL5011	Omnibrite LED Top Up Kit
SL530	Storm Leg	SL5012-10K	Battery Pack for Omnibrite LED Kits & Mobile Devices
SL529-C	Roof Rafter Poles		





Seasonal Awning



Griplock Clamp



ClimaTech SR21



Unilok Pad



Techline Buckle



Caravan

ATLANTIS DL



The Camptech Atlantis DL is specifically designed for seasonal pitch camping.

Crafted from Climatech premium SR21 material, the roof and walls feature a robust steel frame measuring 22/25mm, complete with Camptech Griplock clamps and Unilok Pads.

It boasts large windows, roll-back front panels, and fly screen ventilation on both side panels and the apex, ensuring a steady flow of fresh air. Additionally, curtains and external blinds provide privacy and enhanced security. All panels are removable, creating a sun canopy effect and making this awning a highly appealing and durable option for all seasons.



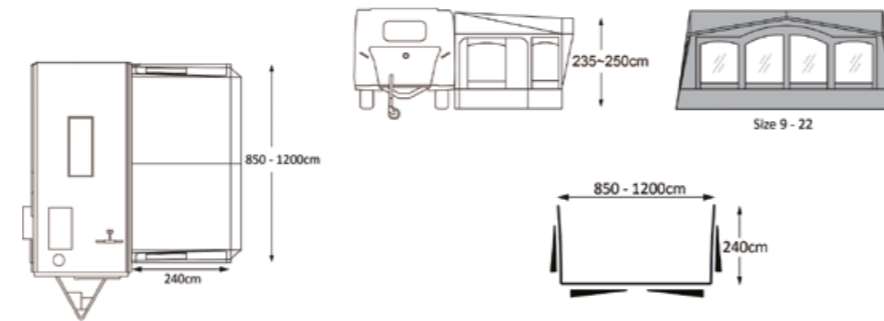
Specifications

Size	Available in sizes 9 to 22
Depth	240cm
Colour	Anthracite / Light Grey
Roof Material	Climatech SR21 All Season Coated Polyester
Wall Material	Climatech SR21 All Season Coated Polyester
Front Layout	All sizes feature 4 front windows
Weight	Weight 50kg approx. (Size 14 Canvas (29.5kg) & Frame (20kg) Combined)
Frame	22mm/25mm Steel Frame fitted with Griplock Clamps
	Sizes 11-22 - 5 Roof Poles
	Sizes 14-22 - 5 Front Legs
	Sizes 20-22 - 2 Roof Raiser Poles

Features Included

Privacy Blinds	Draft Skirt & Wheel Arch Cover
Half Flyscreen	Canvas Holdall Bag
Ventilation On Both Sides	Frame Bag
4 Wide Doors	Curtains
Techline Secure Buckles	Nylon Pegs & Peg Bag
Techline/Ykk Zips	Ladder Bands
Figure Of 8	Unilok Bracket Pads

Dimensions



Optional Extras

SL5055-F/F	Fibre Frame (Touring Only)	SL591/3V	Roof Liner
SL500	Techline Secure Straps	SL530	Storm Legs
SL580	Techline Secure Plus Strap	IT018	Awning Inner Tent
SL528	Protech Roof Raiser Pole	1093/1094/1095	Nova Lights
SL527	Veranda Pole	1098/1099/1100	Capella Motion Sensor Lights
SL945-K	Standard Annex	SL5010	Omnibrite LED Starter Kit
SL944-KB	Tall Annex with Blinds	SL5011	Omnibrite LED Top Up Kit
IT091	Tall Annex Inner Tent	SL5012-10K	Battery Pack for Omnibrite LED Kits & Mobile Devices
	Regal Carpet		
SL529-C	Roof Rafter Poles		





Seasonal Awning



Griplock Clamp



Climatech SR18



Unilok Pad



Techline Buckle



Caravan

SAVANNA DL



The Savanna DL is an outstanding option for caravanners seeking a robust and well-designed setup.

Available in sizes 6 to 22, it is crafted from easy-to-clean, all-season Climatech SR18 material, making it ideal for seasonal camping. The sturdy steel frame, measuring 22/25mm, ensures durability, complete with Camptech Griplock clamps and Unilok Pads. Additional features include smooth zippers, ventilation points, curtains, privacy blinds, and fully detachable panels.

You also have the option to secure it with our Techline Secure Straps or add an annex for extra space.

Specifications

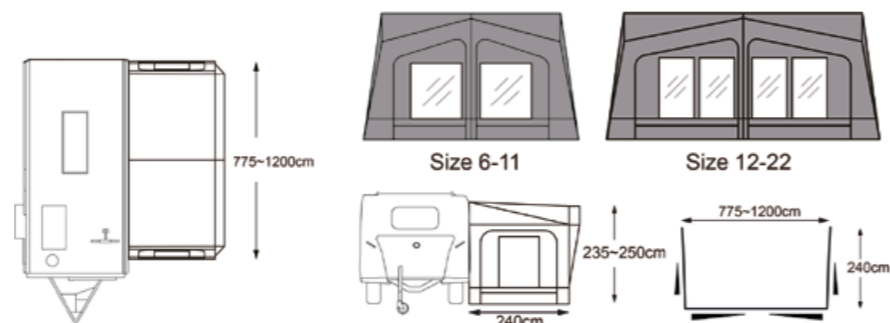
Size	Available in sizes 6 to 22
Depth	240cm
Colour	Anthracite / Light Grey
Roof Material	Climatech SR18 All Season Coated Polyester
Wall Material	Climatech SR18 All Season Coated Polyester
Front Layout	Sizes 6 to 11 feature 2 front windows Sizes 12 to 22 feature 4 front windows
Weight	Weight 48kg approx. (Size 14 Canvas (28kg) & Frame (20kg) Combined)
Frame	22mm/25mm Steel Frame fitted with Griplock Clamps Sizes 11-22 - 5 Roof Poles Sizes 14-22 - 5 Front Legs Sizes 20-22 - 2 Roof Raiser Poles

Features Included

Half Screen Ventilation On One Side	Curtains
Techline Secure Buckles	Nylon Pegs & Peg Bag
Techline Zips/YKK Zips	Frame Bag
Figure of 8	Ladder Bands
Draft Skirt & Wheel Arch Cover	Unilok Bracket Pads
Canvas Holdall Bag	



Dimensions



Optional Extras

SL5055-F/F	Fibre Frame (Touring Only)	SL591/3V	Roof Liner
SL500	Techline Secure Straps	SL530	Storm Legs
SL580	Techline Secure Plus Strap	IT018	Awning Inner Tent
SL528	Protech Roof Raiser Pole	1093/1094/1095	Nova Lights
SL527	Veranda Pole	1098/1099/1100	Capella Motion Sensor Lights
SL945-K	Standard Annex	SL5010	Omnibrite LED Starter Kit
SL944-KB	Tall Annex with Blinds	SL5011	Omnibrite LED Top Up Kit
IT091	Tall Annex Inner Tent	SL5012-10K	Battery Pack for Omnibrite LED Kits & Mobile Devices
	Regal Carpet		
SL529-C	Roof Rafter Poles		





Touring Awning



Griplock Clamp



ClimaTech SR17/SR18



Unilok Pad



Techline Buckle



Caravan

CAYMAN



Our Cayman Touring Awning is suitable for touring use and great value for money.

The walls of our Cayman are produced in our Climatech SR17 coated polyester, this material makes your awning easy to clean and very durable. The roof material of our Cayman Touring Awning is produced in our Climatech SR18 all season coated polyester; this is a superior grade material which helps make the roof of your awning durable during your touring periods. Included with the frame will be Unilok pads to assist in fitting the frame to the side of your caravan. This awning features roll back front panels which are great for an optional wide front door and the large windows are excellent for enjoying the view. Our Cayman Touring Awning is also supplied with curtains so you can create a private space during the day or in the evening.

Specifications

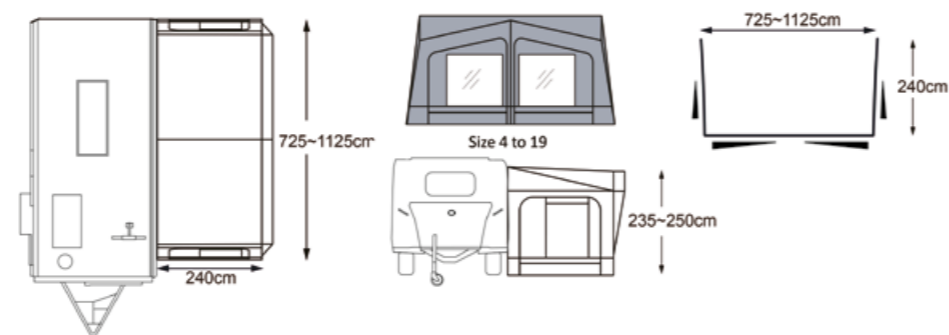
Size	Available in sizes 4 to 19
Depth	240cm
Colour	Anthracite / Light Grey
Roof Material	Climatech SR18 All Season Coated Polyester
Wall Material	Climatech SR17 Coated Polyester
Weight	Weight 40kg approx. (Size 14 Canvas (22kg) & Frame (18kg) Combined)
Frame	22mm/25mm Steel Frame fitted with Griplock Clamps
	Sizes 4-10 - 3 Roof Poles
	Sizes 4-13 - 3 Leg Poles
	Sizes 11-19 - 5 Roof Poles
	Sizes 14-19 - 5 Front Legs

Features Included

Half Screen Ventilation On One Side	Curtains
Techline Zips	Nylon Pegs & Peg Bag
Techline Secure Buckles	Storage Canvas & Frame Bags
Figure of 8	Ladder Bands
Draft Skirt & Wheel Arch Cover	Unilok Bracket Pads



Dimensions



Optional Extras

SL5055-F/F	Fibre Frame (Touring Only)	SL530	Storm Legs
SL500	Techline Secure Straps	IT018	Awning Inner Tent
SL528	Protech Roof Raiser Pole	1093/1094/1095	Nova Lights
SL527	Veranda Pole	1098/1099/1100	Capella Motion Sensor Lights
SL944-P-TA	Tall Annex	SL5010	Omnibrite LED Starter Kit
IT091	Tall Annex Inner Tent	SL5011	Omnibrite LED Top Up Kit
	Regal Carpet	SL5012-10K	Battery Pack for Omnibrite LED Kits & Mobile Devices
SL529-C	Roof Rafter Poles		
SL591/3V	Roof Liner		





Seasonal Awning



Valve System



ClimaTech SR21



Single Inflation



Techline Buckle



Caravan



Air Pump

HAMPTON DL



The Hampton DL Air Seasonal Awning with a single main body inflation point and 3 deflation points.

Made from Camptech Climatech Premium Seasonal SR21 material that offers the convenience and speed of an air awning while providing the space of a traditional awning, making the Hampton DL perfect for short and long-term use.

The Hampton DL also offers extra features such as panoramic windows with all round privacy blinds. The front can also be used as extra wide doors, or these can be made into veranda style. The sides have full mesh windows and offer the option to add the seasonal air annex to create an extra bedroom or storage space.

Specifications

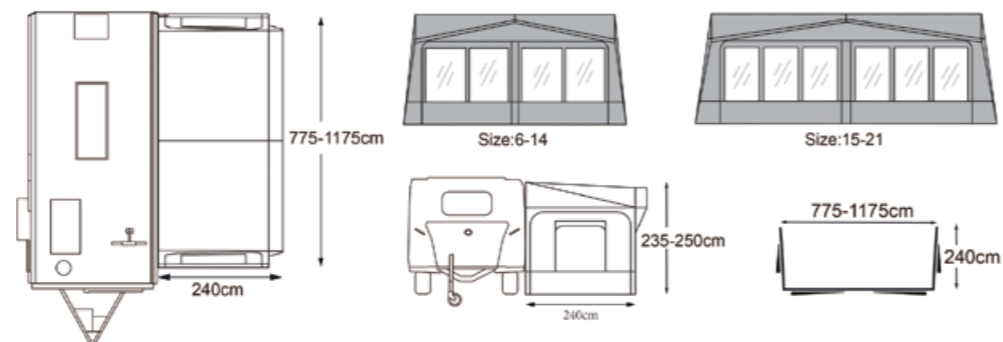
Size	Available in sizes 6 to 21
Depth	240cm
Colour	Black / Light Grey
Weight	51kg approx. (size 16)
Roof Material	Climattech SR21 All Season Coated Polyester
Wall Material	Climattech SR21 All Season Coated Polyester
Front Layout	Sizes 6 to 14 have four front windows Sizes 15 to 21 have six front windows
Sizes 10 to 14	2 extra inflatable roof support beams 2 extra Techline vertical support poles
Sizes 15 to 21	4 extra inflatable roof support beams 4 extra Techline vertical support poles
Front Panels	All panels can be rolled down or zipped out
Side Panels	Both panels can be rolled down or zipped out
Curtains	All front & side windows are fitted with curtains

Features Included

Single Inflation Point & Multiple Deflation Points	Draft Skirt
Techline Secure Buckles	Wheel Arch Cover
Full Fly Screen Fitted To Both Sides	Curtains
Outside Privacy Blinds	Nylon Pegs & Peg Bag
Techline Zips	Canopy Poles
Manual Air Pump	Ladder Bands



Dimensions



Optional Extras

SL500	Techline Secure Straps	SL570-C	Alloy Vertical Poles
SL902	Hampton DL Tall Annex	SL5012-10K	Battery Pack for Omnibrite LED Kits & Mobile Devices
IT018	Awning Inner Tent	1055	Electric Air Pump
IT091	Annex Inner Tent	SL532	Alloy Veranda Bar
SL591/SL593V	Roof Liner		Regal Carpet
SL5010	Omnibrite LED Starter Kit	1098/1099/1100	Capella Motion Sensor Lights
SL5011	Omnibrite LED Top-Up Kit		
1093/1094/1095	Nova Lights		





Touring Awning



Valve System



ClimaTech SR17/SR18



Single Inflation



Techline Buckle



Caravan



Air Pump

KENSINGTON



The Kensington Touring Air Awning is crafted from our Climatech SR17 material, combining the traditional design and spaciousness of a poled awning with the ease and speed of an air awning.

The panoramic front windows can be rolled back to create extra-wide doors or used in a veranda style. With a single inflation point, setup is quick and straightforward, allowing you to spend more time enjoying your holiday.

Multiple deflation points facilitate faster packing, while ventilation is provided through two zipped openings. Storm straps ensure stability in varying weather conditions. For added space, an optional annexe can be attached to either side of the awning, providing extra room or storage.

Specifications

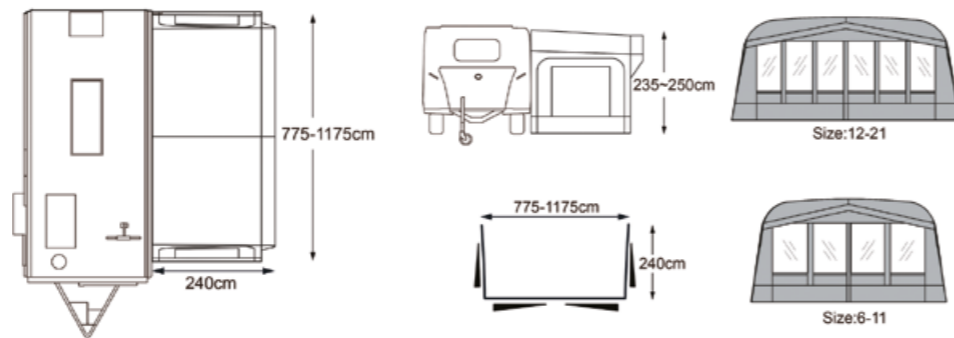
Size	Available in sizes 6 to 21
Depth	240cm
Colour	Black / Light Grey
Weight	45kg approx. (size 16)
Roof Material	Climatech SR18 All Season Coated Polyester
Wall Material	Climatech SR17 Coated Polyester
Front Layout	Sizes 6 to 14 have four front windows Sizes 15 to 21 have six front windows
Sizes 10 to 14	2 extra inflatable roof support beams 2 extra Techline vertical support poles
Sizes 15 to 21	4 extra inflatable roof support beams 4 extra Techline vertical support poles
Front Panels	All panels can be rolled down or zipped out
Side Panels	Both panels can be rolled down or zipped out
Curtains	All front & side windows are fitted with curtains

Features Included

Single Inflation Point & Multiple Deflation Points	Wheel Arch Cover
Techline Secure Buckles	Curtains
A Half Mesh Window On One Side	Nylon Pegs & Peg Bag
Techline Zips	Canopy Poles
Draft Skirt	Manual Air Pump Included
	Ladder Bands



Dimensions



Optional Extras

SL500	Techline Secure Straps	SL570-C	Alloy Vertical Poles
SL915II	Kensington Tall Annex	SL5012-10K	Battery Pack for Omnibrite LED Kits
IT018	Awning Inner Tent	1055	Electric Air Pump
IT091	Annex Inner Tent	SL532	Alloy Veranda Bar
SL591/3V	Roof Liner		Regal Carpet
SL5010	Omnibrite LED Starter Kit	1098/1099/1100	Capella Motion Sensor Lights
SL5011	Omnibrite LED Top-Up Kit		
1093/1094/1095	Nova Lights		





Seasonal Awning



Griplock Clamp



ClimaTech SR18



Unilok Pad



Techline Buckle



Caravan

COUNT DL



The Count DL Porch Awning is crafted from Climatech SR18 seasonal fabric, making it an ideal choice for year-round use.

This model features privacy blinds on the outside of all windows, making it suitable for both short and long-term stays while also shielding your windows from UV rays.

The spacious floor area of the Count DL enhances the open feel of your porch awning, and if you need extra room, there's an optional annex that can be attached to either side.

Additionally, all three panels can be removed or zipped down to create a veranda style, ensuring that the Count DL meets everyone's needs.

Specifications

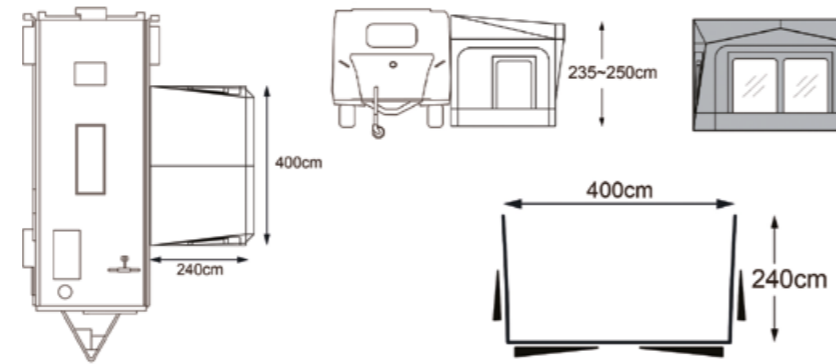
Size	Fits caravans 235 to 255cm
Depth	240cm
Width	400cm
Colour	Black / Light Grey
Roof Material	Climatech SR18 All Season Coated Polyester
Wall Material	Climatech SR18 All Season Coated Polyester
Kadar Length	440cm
Weight	Weight 35kg approx. (Canvas (23kg) & Frame (12kg) Combined)
Frame	22mm/25mm Steel Frame fitted with Griplock Clamps

Features Included

Techline Secure Buckles	Techline Zips
YKK Zips	Draft Skirt & Wheel Arch Cover
Curtains	Nylon Pegs & Peg Bag
Fly Screen To Both Sides	Canopy Poles
Large Detachable Window On The Front	Canvas Holdall Bag
Rear Support Legs	Ladder Bands
A Half Mesh Window On One Side	Unilok Bracket Pads



Dimensions



Optional Extras

SL500	Techline Secure Straps	SL5012-10K	Battery Pack for Omnibrite LED Kits & Mobile Devices
SL901	Tall Annex	1098/1099/1100	Capella Motion Sensor Lights
IT018	Awning Inner Tent	1093/1094/1095	Nova Lights
IT091	Annex Inner Tent	1106	Royal Cushioned Carpet
SL597V	Roof Liner	SL5055-F/F04-07	Fibre Frame (SL570-C Will Also Need To Be Ordered)
SL5010	Omnibrite LED Starter Kit		
SL5011	Omnibrite LED Top-Up Kit		
1059/1022	Regal Carpet		

DUKE DL



The Duke DL Seasonal Air Porch Awning is made from SR18 Climatech seasonal material.

Measuring at a generous size of 400cm width by 240cm depth for those long-sited stays. The Duke DL can be put up with ease using our single inflation system. The awning features large windows to the front and side of the awning, which allows daylight throughout the entire awning. The Duke DL is also fitted with privacy blinds on the outside windows making this suitable for both short and long-term stays. The front and side panels can be removed, and an additional annex can be added to either side of the awning. This awning provides the perfect living space to sit back and relax.

Specifications

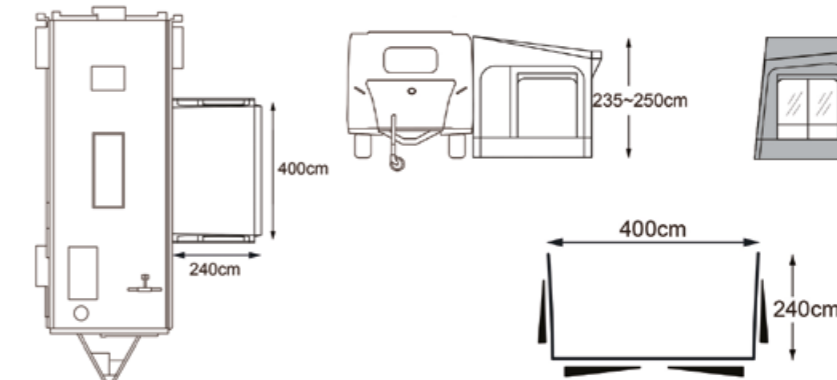
Size	Fits caravans 235 to 255cm
Depth	240cm
Width	400cm
Colour	Anthracite/Light Grey
Roof Material	Climatech SR18 All Season Coated Polyester
Wall Material	Climatech SR18 All Season Coated Polyester
Kadar Length	436cm
Weight	38kgs approx.

Features Included

Single Inflation Point With Multiple Deflation Points	Techline Zips
Half Screen Ventilation On Each Side	Draft Skirt & Wheel Arch Cover
Techline Secure Buckles	Curtains
Privacy Blinds	Nylon Pegs & Peg Bag
Canvas Holdall Bag	Manual Air Pump
Repair Kit	Ladder Bands
	Attachment Points For An Inner Tent



Dimensions



Optional Extras

SL500	Techline Secure Straps	SL5011	Omnibrite LED Top-Up Kit
SL915II	Inflatable Tall Annex	SL5012-10K	Battery Pack for Omnibrite LED Kits & Mobile Devices
IT091	Annex Inner Tent	1059/1022	Regal Carpet
SL532-A	Veranda Poles	1098/1099/1100	Capella Motion Sensor Lights
1055	Electric Air Pump	1093/1094/1095	Nova Lights
SL531	Roof Rafter Air Tube	SL570-C	Alloy Vertical Poles
SL5020	Packing Pads	1106	Royal Cushioned Carpet
SL5010	Omnibrite LED Starter Kit		



Seasonal Awning



Valve System



ClimaTech SR18



Single Inflation



Techline Buckle



Caravan



Air Pump



Touring Awning



Valve System



ClimaTech SR17/SR18



Single Inflation



Techline Buckle



Caravan



Air Pump

COUNTESS



The Countess Air Porch Awning is made from Climatch SR17 fabric.

The Countess has a floor space of 340cm by 240cm making this ideal for weekend trips and short holiday stays.

The Countess features the option to remove the large detachable front window panel and side panels to create a canopy space. Also available for the Countess Air Porch Awning is the optional extra annex, so you can choose to extend your space further if needed making the Countess suitable for all your touring needs.

Specifications

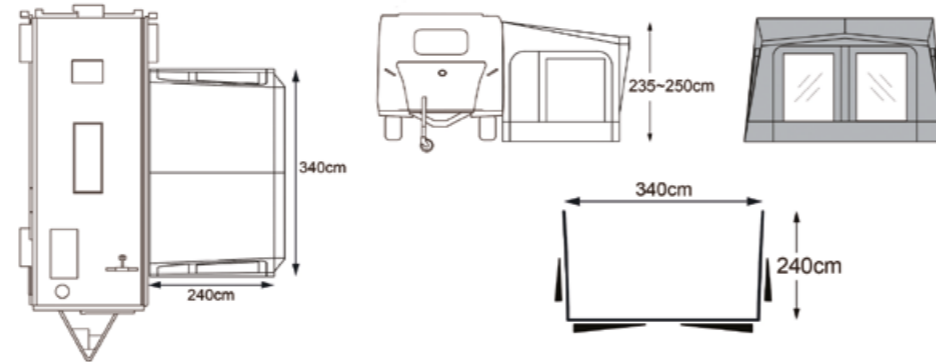
Size	Fits Caravans 235 To 255cm
Depth	240cm
Width	340cm
Colour	Black / Light Grey
Roof Material	Climatch SR18 All Season Coated Polyester
Wall Material	Climatch SR17 Coated Polyester
Kadar Length	380cm
Weight	33kgs approx.

Features Included

Single Inflation Point And Multiple Deflation Points	Draft Skirt & Wheel Arch Cover
Techline Secure Strap Buckles	Curtains
Attachment Points For An Inner Tent	Peg Bag/Canopy Poles
A Half Mesh Window On One Size	Manual Air Pump
Techline Zips	Repair Kit
	Canvas Holdall Bag



Dimensions



Optional Extras

SL500	Techline Secure Straps	SL598V	Roof Liner
SL902	Tall Annex	SL5012-10K	Battery Pack for Omnibrite LED Kits & Mobile Devices
1055	Electric Air Pump	1076	Regal Carpet
IT091	Annex Inner Tent	1098/1099/1100	Capella Motion Sensor Lights
SL570-C	Alloy Vertical Poles	1093/1094/1095	Nova Lights
SL5010	Omnibrite LED Starter Kit	1107	Royal Cushioned Carpet
SL5011	Omnibrite LED Top-Up Kit		

DUCHESS



The Duchess Touring Porch Awning is produced in our Climatch SR17 coated polyester material making this the perfect touring awning.

The Duchess has all the features of a traditional awning whilst also offering that spacious feeling with the large windows to the front and side of the awning, which allows daylight throughout the entire awning. The panels can be removed for those sunnier days. The Duchess comes fitted with one half fly screen to increase ventilation into your awning. Using the techline zips we can offer you the option to add an additional annex to either side of the Duchess for those times you need more space. Each panel has a door that can be rolled back to allow access into the awning, making it suitable for all your family needs.

Specifications

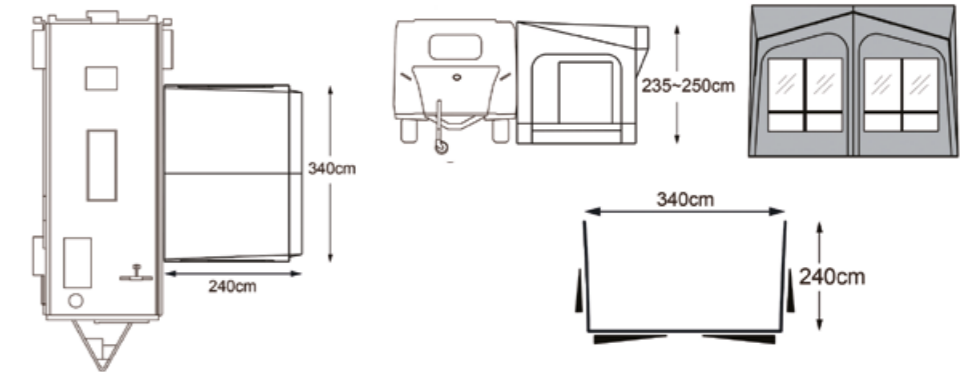
Size	Fits Caravans 235 to 250cm
Depth	240cm
Width	340cm
Colour	Anthracite/Light Grey
Roof Material	Climatch SR18 All Season Coated Polyester
Wall Material	Climatch SR17 Coated Polyester
Frame	22/25mm Steel Frame fitted with Griplock Clamps
Kadar Length	380cm
Weight	Weight 30kg approx. (Canvas (18.5kg) & Frame (11kg) Combined)

Features Included

Half Screen Ventilation On One Side	Figure of 8
Unilok Pads	Draft Skirt & Wheel Arch Cover
Canvas Holdall Bag	Curtains
Techline Zips	Peg Bag



Dimensions



Optional Extras

SL500	Techline Secure Straps	SL5012-10K	Battery Pack for Omnibrite LED Kits & Mobile Devices
IT091	Tall Annex Inner Tent	1076	Regal Carpet
IT018	Awning Inner Tent	1098/1099/1100	Capella Motion Sensor Lights
SL944-P-TA	Tall Annex	1093/1094/1095	Nova Lights
SL5010	Omnibrite LED Starter Kit	1107	Royal Cushioned Carpet
SL5011	Omnibrite LED Top-Up Kit	SL5055-F/F04-07	Fibre Frame
SL570-C	Alloy Vertical Poles		



Touring Awning



Griplock Clamp



ClimaTech SR17/SR18



Unilok Pad



Techline Buckle



Caravan



Seasonal Awning



ClimaTech SR18



Griplock Clamp



Techline Buckle



Unilok Pad



Caravan

PRINCE DL



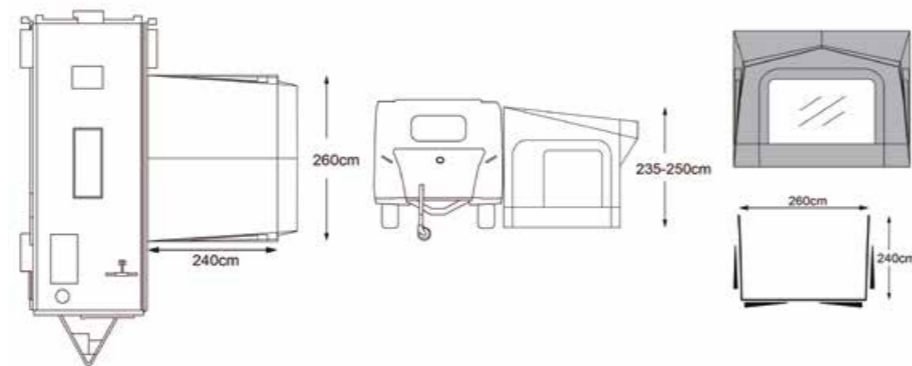
The Prince DL is a versatile and robust addition to your awning needs, with a width of 260cm and a depth of 240cm it offers ample space for various activities and storage needs.

The awning is designed to fit caravan heights between 235-250cm. Constructed from Climatech SR18 material for both the roof and walls, the anthracite and light grey colour scheme gives it a modern and stylish appearance. Included features enhance its functionality: detachable front panel and sides, a rear support pad. The Prince DL also has the option to extend the living space by adding an annexe, for privacy and convenience. It also comes with external privacy blinds. This Prince DL is designed to offer comfort and practicality, making it an excellent choice for you caravanning needs.

Specifications

Width	260cm
Depth	240cm
Colour	Anthracite/Light Grey
Weight	Weight 29kg approx. (Canvas (20kg) & Frame (9kg) Combined)
Fits Caravan Heights	235-250cm
Kadar Length	287cm
Roof Material	Climatech SR18 All Season Coated Polyester
Wall Material	Climatech SR18 All Season Coated Polyester
Frame	22/25MM Steel Frame

Dimensions



Features Included

Half Flyscreen Ventilation On Two Sides	Draft Skirt / Wheel Arch Cover
Ventilation Above The Front Window	Peg And Ladder Bands
Techline Secure Strap Buckles	Canvas Holdall Bag
YKK Zips / Techline Zips	External Privacy Blinds
Curtain Set	Unilok Pads/Griplock Clamps
Detachable Front Panel & Sides	Figure Of 8
Rear Support Pad	

Optional Extras

SL570-C	Alloy Vertical Poles	1021	Regal Carpet
SL500	Techline Secure Straps	1093/1094/1095	Nova Lights
SL527A	Veranda Pole With Clamp (1.9-2.6M)	1098/1099/1100	Capella Motion Sensor Lights
SL944-KB	Tall Annex With Blinds	1112	Royal Cushioned Carpet
IT091	Tall Annex Inner Tent		





Seasonal Awning



PVC Material



Griplock Clamp



Techline Buckle



Unilok Pad



Caravan

PRINCESS DL



The Princess DL Winter Porch Awning is made to fit caravan heights ranging from 235 to 250 cm, making it a perfect addition for your outdoor adventures.

The Awning has a width of 200 cm and a depth of 240 cm, it offers ample space for relaxation and storage. Manufactured in a dark grey, light grey, and black PVC, this awning features a durable PVC roof and walls supported by a robust 25/28mm steel frame. Additional standard features such as a curtain set, detachable front panel, peg and ladder bands, and a canvas holdall bag enhance convenience and usability. For those seeking customization, optional extras are available. The Princess DL is designed with functionality and comfort in mind, making it an ideal choice for any caravan enthusiast all year round.

Specifications

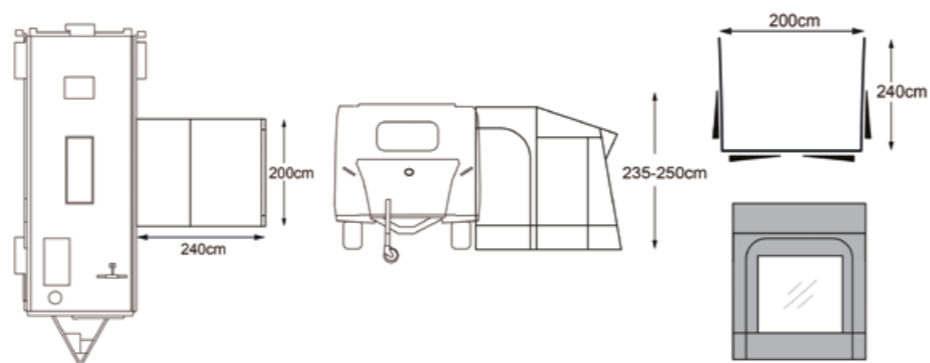
Width	200cm
Depth	240cm
Colour	Dark Grey/Light Grey/Black
Weight	Weight 35kg approx. (Canvas (23kg) & Frame (12kg) Combined)
Frame	11.80kgs
Fits Caravan Heights	235-250cm
Kadar Length	215cm
Roof Material	PVC
Wall Material	PVC
Frame	25/28mm Steel Frame

Features Included

Full Mesh Doors	Dual Draft Skirt
High Level Vents	Draft Skirt/Wheel Arch Cover
Techline Secure Strap Buckles	Peg and Ladder bands
Techline Zips	Canvas Holdall Bag
Curtain Set	External Privacy Blinds
Detachable Front Panel	Unilok Pads/Griplock Clamps
Dual Pitch Roof	Figure of 8
Rear Support Legs	



Dimensions



Optional Extras

SL500	Techline Secure Straps	1088	Regal Carpet 200 x 250
SL5088	Additional Winter Kit	1093/1094/1095	Nova Lights
SL527	Veranda Pole With Clamp (1.9-2.6M)	1098/1099/1100	Capella Motion Sensor Lights

ARCHDUKE DL



The Archduke is a robust and versatile addition for your outdoor adventures, designed to fit perfectly to Knaus Sport & Fun models.

With a generous floor width of 435cm and a depth of 240cm, this awning provides ample space for shelter and comfort. Its stylish anthracite and light grey colour scheme ensure it looks as good as it functions. Constructed from high-quality Climatch SR18 material for both the roof and walls, the canopy offers excellent protection from the elements. Features such as a half flyscreen ventilation system on one side, techline secure strap buckles, and premium YKK/Techline zips contribute to its functionality and ease of use. The inclusion of a curtain set, detachable front panel and sides, and a rear support pad adds to its versatility, allowing for customized configurations. This canopy is the perfect solution for enhancing your camping experience with the Knaus Sport & Fun, combining practicality, durability, and style.

Specifications

Fits	Knaus Sport & Fun
Floor Width	435cm
Depth	240cm
Colour	Anthracite/Light Grey
Weight	Weight 39kg approx. (Canvas (25kg) & Frame (14kg) Combined)
Roof Material	Climatch SR18 All Season Coated Polyester
Wall Material	Climatch SR18 All Season Coated Polyester

Features Included

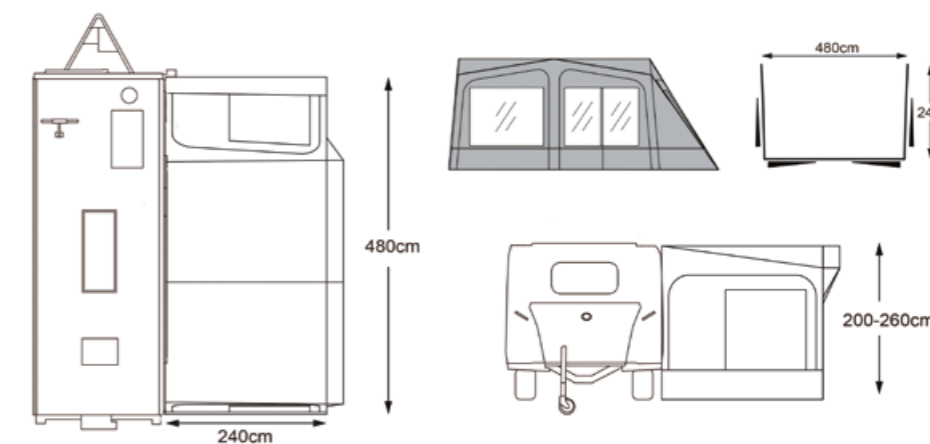
Techline Secure Strap Buckles	Rear Support Pad
Nylon Zip	Draft Skirt / Wheel Arch Cover
Curtain Set	Peg & Ladder Bands
Detachable Front Panel & Sides	Canvas Holdall Bag / Frame

Optional Extras

SL500	Techline Secure Straps
1093/1094/1095	Nova Lights
1098/1099/1100	Capella Motion Sensor Lights



Dimensions



Seasonal Awning



ClimaTech SR18



Griplock Clamp



Techline Buckle



Unilok Pad



Techline Buckle



Touring Awning



Valve System



ClimateTech SY17



Single Inflation



Twin Beading



Techline Buckle



Caravan



Air Pump

STARLINE ELITE



The Starline Elite is crafted from the robust Climatech SY17 fabric, allowing for simple assembly through a single inflation point.

This model features dual beading, making it versatile for both caravans and non-drive-away motorhomes. With four size options available—200, 260, 300, and 390—all offering a depth of 250 cm, the Starline Elite maximizes your living space.

Furthermore, you can enhance your area with the optional Starline Infinity Pod, which can be attached to either the left or right side of the awning for additional living space. Alternatively, you can add an annex to either side, making it perfect for weekend getaways and touring holidays.

Specifications

Size	Fits Caravans 235 to 255cm Fits Motorhomes 235 to 250cm (Non Driveaway)
Width	200/260/300/390cm
Depth	250cm
Colour	Anthracite/Black/Light Grey
Material	Climatech SY17
Kadar Length	Size 200 - 280cm Size 260 - 330cm Size 300 - 370cm Size 390 - 460cm
Weight	27kgs approx. (Starline Elite 300)

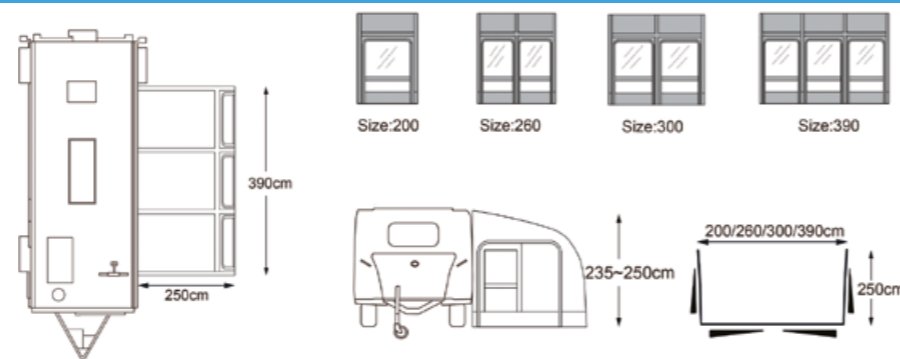
Features Included

Large Flyscreens Fitted In Door Panel	Peg Bag
Attachment Points For An Inner Tent	Manual Pump
Sewn In Rear Cushioned Pads	Repair Kit
One Main Inflation Point	Canvas Holdall Bag
Dual Beading 4/6mm	Mesh Door To Both Sides
Draft Skirt	Heavy Webbing Straps
Curtains	Attachment Points For A Roof Liner



STARLINE ELITE 390

Dimensions



Optional Extras

SL918-L	Starline Elite Infinity Left	SL517-VB	260/390 Veranda Bar
SL918-R	Starline Elite Infinity Right	SL517-C	300 Veranda Bar
IT101	Starline Elite Infinity Inner Tent	1093/1094/1095	Nova Lights
SL917	Starline Elite Tall Annex	1098/1099/1100	Capella Motion Sensor Lights
IT093	Awning Inner Tent	SL5020	Packing Pads
IT091	Tall Annex Inner Tent	Regal Carpet	For 200/260/300/390
SL594V	Roof Liner	SL5001	Techline Secure Straps For Inflatables
SL517I	200 Veranda Bar	SL570-C	Alloy Vertical Poles



STARLINE ELITE 200



STARLINE ELITE 260



STARLINE ELITE 300 & OPTIONAL INFINITY POD



Touring Awning



ClimaTech 210D



Twin Beading



Techline Buckle



Caravan



Motorhome



Air Pump

STARLINE



The Starline Range stands out as one of the most adaptable options in its category.

Crafted from high-quality 210D Climatech Material and equipped with 4/6mm beading, it is designed for use with both caravans and as a non-driveaway motorhome awning. Its impressive internal height enhances the feeling of spaciousness within the living area. The front windows can function as extra-wide doors or can be adjusted for a veranda-style setup. Included with the Starline are internal blinds that provide privacy when needed. Additionally, it boasts large doors on both side panels for easier access, and the panels can be removed to facilitate the addition of an annex or simplify assembly. The Starline can be attached to your vehicle using twin beading that fits into the channel of your vehicle (if applicable) or the channel on your wind-out canopy. The 3m-wide Starline is unique in the range, available in two different heights (Low: 235/250cm & High: 265/280cm) to accommodate various camper and motorhome requirements. Meanwhile, the 200, 260, and 390 wide Starline models are exclusively offered in the low configuration.

Specifications

Size	Fits Caravans 235 to 250cm
Width	200 Width (1 Front Window) 260/300 Width (2 Front Windows) 390 Width (3 Front Windows)
Depth	250cm
Colour	Anthracite/Light Grey
Weight	17kgs approx. (Starline 260)
Material	Climatech 210D

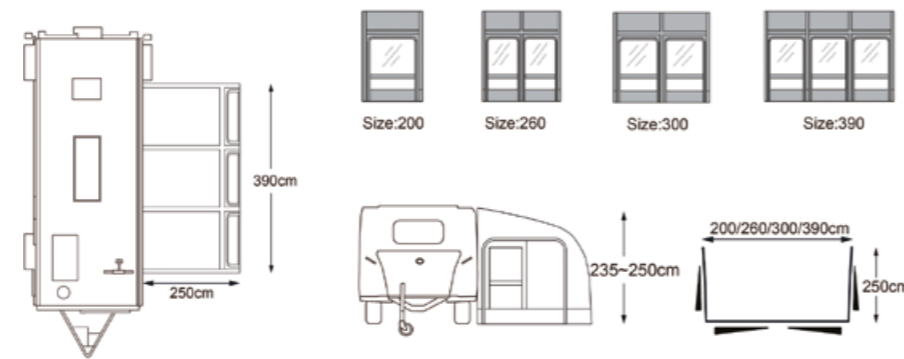
Features Included

Highly Visible Guy Ropes	Draft Skirt
Individual Inflation Points	Peg Bag
Techline Secure Strap Buckles	Manual Pump
Attachment Points For An Inner Tent	Repair Kit
Large Fly Screen	Canvas Holdall Bag
Sewn In Rear Cushion Pads	



STARLINE 200

Dimensions



Optional Extras

SL914IV	Starline Tall Annex	1055	Electric Air Pump
IT093	Awning Inner Tent	SL5020	Packing Pads
IT091	Tall Annex Inner Tent	1093/1094/1095	Nova Lights
SL570	Alloy Vertical Poles	1098/1099/1100	Capella Motion Sensor Lights
Regal Carpet	For 200/260/300/390	SL5010	Omnibrite LED Starter Kit
SL5171	200 Veranda Bar	SL5011	Omnibrite LED Top Up Kit
SL517VB	260/390 Veranda Bar	SL5012-10K	Battery Pack for Omnibrite LED Kits & Mobile Devices
SL517C	300 Veranda Bar		
SL5001	Techline Secure Straps For Inflatable		Royal Cushioned Carpet

STARLINE MOTORHOME



The Starline motorhome can be fitted to your vehicle in two ways.

Either by the twin beading that can be slotted into the channel on your vehicle (if applicable) or the channel on your wind out canopy.

The 3M wide Starline is the only one in the range that is available in 2 different heights (Low: 235/250cm & High: 265/280cm) to suit most camper and motorhome needs. The 200, 260 and 390 wide Starline's are only available in the Low model which are not suitable for motorhomes.

Specifications

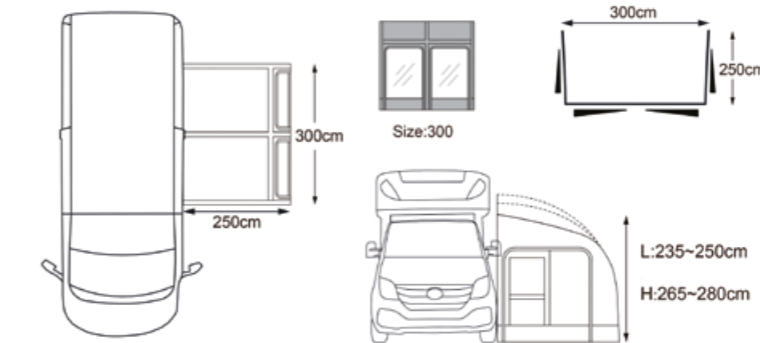
Height	Low: 235 - 250cm High: 265 - 280cm
Size	200 Width (1 Front Window) 260/300 Width (2 Front Windows) 390 Width (3 Front Windows)
Depth	250cm
Colour	Anthracite/Light Grey or Blue
Weight	18.5kg approx. (Starline 300 High)
Colour	Grey Available In 200/260/300/390

Features Included

Highly Visible Guy Ropes	Draft Skirt
Individual Inflation Points	Peg Bag
Techline Secure Strap Buckles	Manual Pump
Attachment Points For An Inner Tent	Repair Kit
Large Fly Screen	Canvas Holdall Bag
Sewn In Rear Cushion Pads	



Dimensions



Optional Extras

SL914IV	Starline Tall Annex	SL5010	Omnibrite LED Starter Kit
IT093	Awning Inner Tent	SL5011	Omnibrite LED Top Up Kit
IT091	Tall Annex Inner Tent	SL5012-10K	Battery Pack for Omnibrite LED Kits & Mobile Devices
SL570	Alloy Vertical Poles	1055	Electric Air Pump
1045	Regal Carpet For Starline 300	SL5020	Packing Pads
SL517C	300 Veranda Bar		
SL5001	Techline Secure Straps For Inflatable		



Touring Awning



ClimaTech 210D



Twin Beading



Techline Buckle



Caravan



Motorhome



Air Pump



Touring Awning



ClimaTech 210D



Techline Buckle



Motorhome



Air Pump

MOTO CANTERBURY



The Moto Canterbury is a side on driveway motorhome awning, designed to provide maximum versatility and comfort during your travels.

With a spacious width of 500cm and depth of 300cm, this awning is perfect for motorhomes or campervans with heights ranging from 180cm to 300cm. The tunnel depth is 90cm, and the height range is categorized into three segments: Low (180-210cm), Medium (210-255cm), and High (255-300cm), ensuring a perfect fit for a variety of vehicles, with the addition of a zipped-on tunnel with 4/6mm dual beading for compatibility with various vehicles. Constructed from durable 210D material, the awning is robust and weather-resistant, supported with air beams and alloy poles for easy setup.

Specifications

Width	500cm
Depth	300cm
Tunnel Depth	90cm
Kadar Length	265cm
Colour	Light Grey/Dark Grey/Black
Weight	Weight 30kg approx. (Not Including Optional Tunnels)
Material	210D
Frame	Air / Alloy Poles

Optional Tunnels

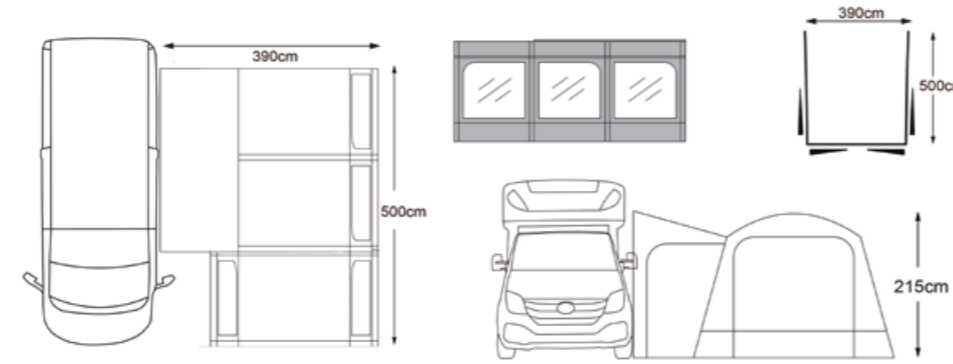
SL9201-TL	Optional Tunnel Size 180-210cm
SL9201-TM	Optional Tunnel Size 210-255cm
SL9201-TH	Optional Tunnel Size 255-300cm

Features Included

Individual Inflation Points	Detachable Back Panel
2 Half Flyscreen Ventilation Points To The Tunnel	Canvas Holdall Bag / Pegs & Ladders
One Flyscreen Ventilation On Centre Panel	Internal Privacy Blinds
Zippered Low Level Ventilation On Both Sides	Sewn In Groundsheet In The Main Body
Highly Visible Guy Ropes	The Front Panel Can Be Removed And Used On The Front Canopy
Interchangeable Detachable Front And Middle Panel	Velcro Straps To Secure Legs In Place
	Anti Water Pocket On The Tunnel



Dimensions



Optional Extras

SL9002	Tall Annex	SL9201-TM	Optional Tunnel Size 210-255
SL5058	Driveway Adaptor Kit	SL9201-TH	Optional Tunnel Size 255-300
IT091	Tall Annex Inner Tent	SL5001	Techline Secure Straps For Inflatable
IT102	Inner Tent For The Main Body Of Awning	1093/1094/1095	Nova Lights
SL601V	Roof Liner	1098/1099/1100	Capella Motion Sensor Lights
SL9201-TL	Optional Tunnel Size 180-210		

MOTO GALA



The Moto Gala motorhome and campervan awning/canopy is designed to bring comfort and versatility to your outdoor adventures.

With a spacious width of 350cm and a depth of 240cm, this awning/canopy provides ample space for relaxation and activities. Available in Anthracite, Black, and Light Grey, fitting vehicles between 180-210cm in height, with dual beading for enhanced useability it easily compliments any campervan aesthetic.

Constructed from durable SY17 material coming as standard with two sides and supported by a combination of air and alloy poles, this awning/canopy ensures stability and longevity.

Specifications

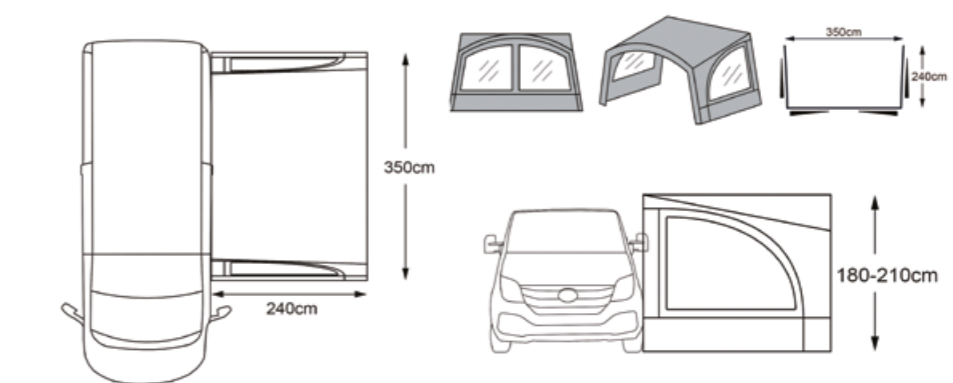
Width	350cm
Depth	240cm
Colour	Anthracite/Black/Light Grey
Kadar Length	262cm
Fits Campervan	180-210cm
Weight	19kgs approx.
Material	SY17
Frame	Air / Alloy Poles

Features Included

The Middle Alloy Pole Is As Standard	Side Walls With Window & Internal Blinds
Dual Beading	Side Panels Can Be Zipped Out To Leave The Awning Roof As A Sun Canopy
Front Zip Pvc Window. This Can Be Rolled To The Middle To Create A Door	Carry Bag
Full Mesh Window To Two Side Panel	Pegs & Ladders
Front And Side Panels Are Removeable	Manual Pump Included



Dimensions



Optional Extras

SL5048-F	Front panel	1098/1099/1100	Capella Motion Sensor Lights
SL5085	Side Alloy Poles X 2pcs	SL5001	Techline Secure Straps For Inflatable
1093/1094/1095	Nova Lights		



Touring Awning



ClimaTech SY17



Motorhome



Air Pump



Touring Awning



ClimaTech 210D



Twin Beading



Single Inflation



Motorhome



Air Pump

MOTO CROWN



The Moto Crown is a driveaway motorhome air awning that measures 3 meters in width and 3 meters in depth, offering an impressive internal living space.

It features a back tunnel available in three height options, making it suitable for most campervans and motorhomes, along with a convenient door for easy access to your vehicle. The canopy above the door provides protection from the elements, while a vent just below ensures proper air circulation. Internal blinds offer privacy when desired. The Moto Crown includes a standard groundsheet, and the sides can be removed to create a gazebo effect, with the option to add an annexe. Constructed from high-quality Climatech 210D material and featuring a single inflation point, the Moto Crown caters to all your holiday requirements.

Specifications

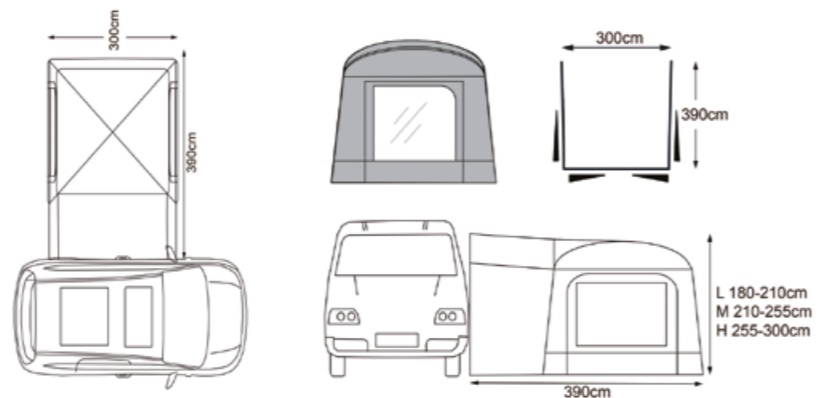
Tunnel	2023/2024 Low - 180-210cm 2024 Medium 210-255cm 2024 High 255-300cm
Tunnel Depth	90cm
Width	300cm
Depth	390cm (Including Tunnel)
Floor Area	300x300cm
Colour	Dark Grey/Light Grey
Weight	20kgs approx. (Moto Crown Medium)
Kadar Length	302cm

Features Included

Highly Visible Guy Ropes	Dual Beading 4/6mm Fitted To The Tunnel
Guyline Attachment For Securing To The Van	Peg Bag
Privacy Blinds	Manual Pump
Flyscreen	Front Window Canopy
Single Inflation Point	Repair Kit
Attachment Points For An Inner Tent	Canvas Holdall Bag



Dimensions



Optional Extras

SL5001	Techline Secure Straps For Inflatable	1093/1094/1095	Nova Lights
1055	Electric Air Pump	1098/1099/1100	Capella Motion Sensor Lights
SL5058	Driveaway Adaptor Kit	SL5010	Omnibrite LED Starter Kit
SL5026	Groundsheet	SL5011	Omnibrite LED Top Up Kit
SL916	Moto Crown Standard Annex	SL5012-10K	Battery Pack for Omnibrite LED Kits & Mobile Devices
IT094	Moto Crown Standard Annex Inner Tent	1108	Royal Cushioned Carpet
SL905	Moto Crown Tall Annex		
IT100	Moto Crown Tall Annex Inner Tent		

HOME IS WITH YOU, WHEREVER THAT MAY BE

MOTO CROWN ELITE



The Moto Crown Elite driveaway motorhome air awning measures 3 meters in width and 3 meters in depth.

Constructed from high-quality Climatech SY17 material, the Moto Crown Elite offers an outstanding internal living space. The back tunnel comes in three height options to fit most campervans and motorhomes, featuring doors on both sides for convenient access to your vehicle. This awning boasts a single inflation point with roof beams for enhanced stability and includes half mesh windows on both sides. With doors and large windows on all sides, along with a zipped groundsheet as standard, this awning meets all your camping needs. Additionally, the canopy above the door provides protection from the elements, while the flyscreen on the side panel ensures proper air circulation throughout the awning.

Specifications

Tunnel	Low - 180/210cm Medium - 210/255cm High - 255/300cm
Tunnel Depth	90cm
Width	300cm
Depth	390cm (Including Tunnel)
Floor Area	300 x 300cm
Colour	Dark Grey / Light Grey
Kadar Length	281cm
Weight	35kgs approx. (Moto Crown Elite Medium).

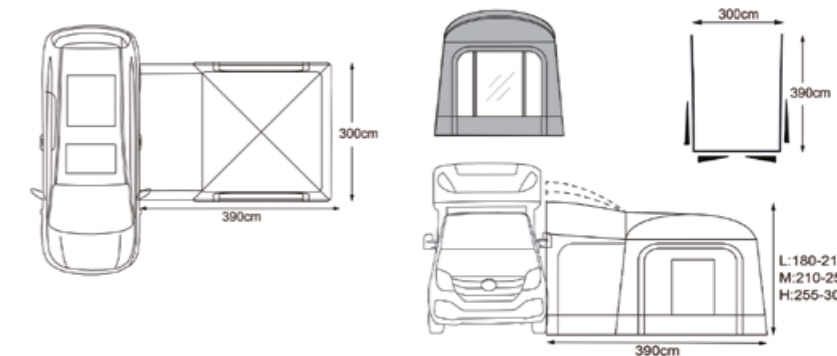
Features Included

Highly Visible Guy Ropes	Dual Beading 4/6mm Fitted To The Tunnel
Guyline Attachment For Securing To The Van	Peg Bag
Privacy Blinds	Manual Pump
Velcro/Zip Groundsheet	Front Window Canopy
Single Inflation Point	Repair Kit
Attachment Points For An Inner Tent	Canvas Holdall Bag

www.camptech.com



Dimensions



Optional Extras

SL5001	Techline Secure Straps For Inflatable	SL5011	Omnibrite LED Top-Up Kit
ITO96	Moto Crown Elite Inner Tent	SL5012-10K	Battery Pack for Omnibrite LED Kits & Mobile Devices
SL5058	Driveaway Adaptor Kit	1076	Regal Carpet
SL907	Moto Crown Elite Annex	1098/1099/1100	Capella Motion Sensor Lights
1055	Electric Air Pump	1093/1094/1095	Nova Lights
ITO97	Moto Crown Elite Annex Inner Tent	1108	Royal Cushioned Carpet
SL599V	Moto Crown Elite Roof Liner		
SL5010	Omnibrite LED Starter Kit		



Touring Awning



ClimaTech SY17



Twin Beading



Single Inflation



Motorhome



Air Pump

31

30



Touring Awning



ClimaTech 190T



Twin Beading



Techline Buckle



Motorhome



Air Pump

MOTO MONARCH



The Moto Monarch is available in 3 heights to fit most vehicles. These are available in Low - 180/210cm, Medium - 210/235cm & High - 235/295cm.

The Moto Monarch is an driveaway awning designed for Motorhomes and Campervans. Crafted from 190T polyester, it combines lightweight properties with durability. This awning comes in three height options to accommodate most vehicles. Featuring three spacious windows and two vents, it creates a bright and airy atmosphere while also including internal privacy blinds for moments when privacy is needed. The large back tunnel is equipped with two side doors for easier access to your vehicle. It is perfect for all your holiday requirements.

Specifications

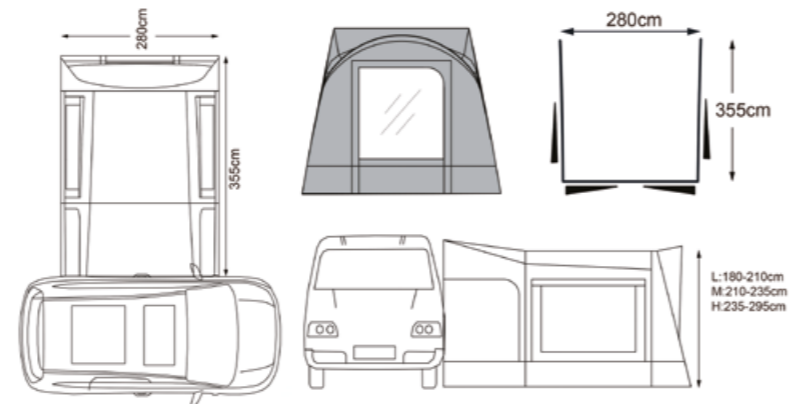
Tunnel	Low - 180/210cm Medium - 210/235cm High - 235/295cm
Tunnel Depth	130cm
Width	280cm
Depth	355cm (Including Tunnel)
Floor Area	280x225cm
Colour	Dark Grey/Light Grey
Weight	19kgs approx. (Moto Monarch Low)
Kadar Length	225cm

Features Included

Highly Visible Guy Ropes	Attachment Points For An Inner Tent
Guyline Attachment For Securing To Van	Peg Bag
External Privacy Blinds	Manual Pump
Flyscreen	Front Window Canopy
Individual Inflation Points	Repair Kit
Dual Beading 4/6mm Fitted To Tunnel	Canvas Holdall Bag



Dimensions



Optional Extras

SL5001	Techline Secure Straps For Inflatable	1098/1099/1100	Capella Motion Sensor Lights
SL5058	Driveway Adaptor Kit	SL5010	Omnibrite LED Starter Kit
IT092	Awning Inner Tent	SL5011	Omnibrite LED Top Up Kit
1055	Electric Air Pump	SL5012-10K	Battery Pack for Omnibrite LED Kits & Mobile Devices
SL5021	Moto Monarch Groundsheet		
1093/1094/1095	Nova Lights		

MOTO KINGSTON



The Moto Kingston is a driveaway motorhome air awning measuring 3m wide and has an overall depth of 2.8m including the tunnel.

It has an excellent internal living area. The back tunnel is available in 2 heights to accommodate campervans and motorhomes. The Moto Kingston has a door in the side of the tunnel for easy access into your vehicle.

The internal blinds enable privacy when needed. Made from quality Climatech 190T material and features multiple inflation points, the Moto Kingston covers all your holiday needs.

Specifications

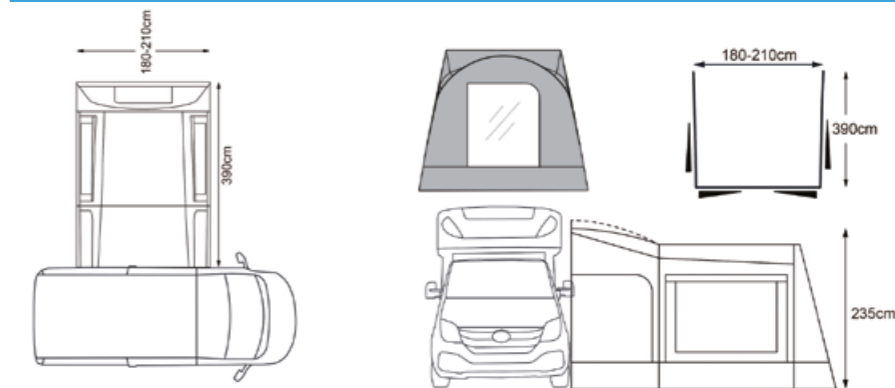
Tunnel	Low - 180/210cm High - 235/295cm
Tunnel Depth	90cm
Width	300cm
Depth	280cm (Including Tunnel)
Floor Area	300x190cm
Colour	Dark Grey/Light Grey
Weight	14kg approx. (Moto Kingston Low)
Kadar Length	262cm

Features Included

Highly Visible Guy Ropes	Attachment Points For An Inner Tent
Guyline Attachment For Securing To Van	Groundsheet
Internal Privacy Blind	Peg Bag
Large Flyscreen	Manual Pump
Individual Inflation Points	Ventilation Panel To The Side
Dual Beading 4/6mm Fitted To The Tunnel	Repair Kit
	Canvas Holdall Bag



Dimensions



Optional Extras

SL5001	Techline Secure Straps For Inflatable	SL5010	Omnibrite LED Starter Kit
1055	Electric Air Pump	SL5011	Omnibrite LED Top Up Kit
SL5058	Driveway Adaptor Kit	SL5012-10K	Battery Pack for Omnibrite LED Kits & Mobile Devices
1093/1094/1095	Nova Lights	1110	Royal Cushioned Carpet
1098/1099/1100	Capella Motion Sensor Lights		



Touring Awning



ClimaTech 190T



Twin Beading



Techline Buckle



Motorhome



Air Pump



Touring Awning



ClimaTech SR17



Twin Beading



Single Inflation



Motorhome



Air Pump

MOTO WINDSOR



The Moto Windsor Drive Away Awning is manufactured from Climatech SR17 fabric ensuring the awning to be durable and easy to clean.

Inflation is from a single point whilst deflation is via multiple points making this driveway simple to assemble. The Moto Windsor has an exceptional living area of 300cm by 240cm, fitted with a tunnel with a door on either side and is suitable to fit Motorhomes from 235 to 300cm in height. Ventilation comes from the two full mesh side doors and the front apex of the awning. The awning has the option to remove the front and side panels to create a canopy space. Also available for the Moto Windsor is the optional annex, which can be used to extend your living space further or create an extra sleeping area, making it perfect for your motorhoming needs.

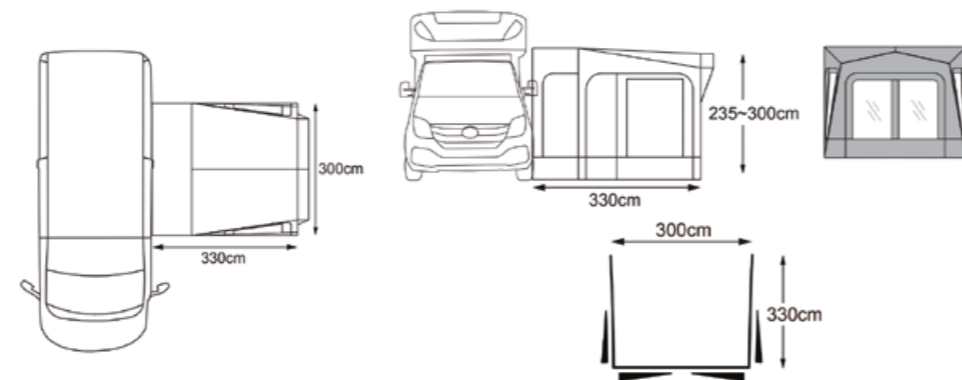
Specifications

Fits Motorhomes	235-300cm
Tunnel Depth	90cm
Width	300cm
Depth	330cm (Including Tunnel)
Colour	Black/Light Grey
Weight	48kg approx.
Kadar Length	380cm

Features Included

Front And Back Straps	Curtains
Dual Beading 4/6mm Fitted To The Tunnel	Manual Pump
2 Doors In Tunnel	Canvas Holdall Bag
Single Inflation Point	Repair Kit
Multiple Deflation Points	Attachment Points For An Inner Tent And Roof Liner
Half Vent Window To One Side	

Dimensions



Optional Extras

SL5058	Driveaway Adaptor Kit	1098/1099/1100	Capella Motion Sensor Lights
IT098	Moto Windsor Inner Tent	SL5010	Omnibrite LED Starter Kit
SL906	Moto Windsor Annex	SL5011	Omnibrite LED Top Up Kit
IT099	Moto Windsor Annex Inner Tent	SL5012-10K	Battery Pack for Omnibrite LED Kits & Mobile Devices
SL600V	Moto Windsor Roof Liner	1109	Royal Cushioned Carpet
1055	Electric Air Pump		
1093/1094/1095	Nova Lights		





Touring Awning



ClimaTech 190T



Twin Beading



Motorhome



Air Pump

MOTO TUDOR



The Moto Tudor drive away tailgate awning.

The Moto Tudor offers quick assembly via the single inflation point. The living area of 250cm by 250cm can be accessed via the front doors which also incorporates a ventilated mesh panel window and internal privacy screen with the option of taking all three side panels out creating a gazebo effect.

The Moto Tudor is fitted with a 150cm tunnel that offers a height range of 160cm-210cm which also includes a side door. The Moto Tudor is made from Climatech 190T material and comes with dual beading fitment as standard to the tunnel. The Moto Tudor will cover all your mobile living needs.

Specifications

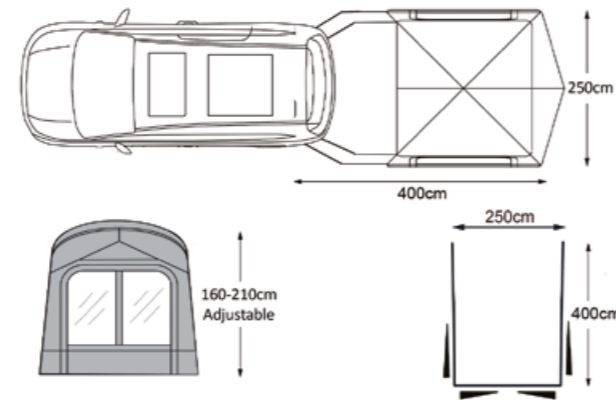
Tunnel	Low - 160/210cm
Tunnel Depth	150cm
Width	250cm
Depth	390cm (Including Tunnel)
Floor Area	250x250cm
Colour	Dark Grey/Light Grey
Weight	18kg approx.
Door Fittings	Barndoor & Tailgate
Kadar Length	193cm

Features Included

Highly Visible Guy Ropes	Peg Bag
Guyline Attachment For Securing To Van	Manual Pump
Internal Privacy Blinds	Both Sides & Front Are Detachable
Mesh & A Blind Located On Front Door	Rear Door Able To Open Either From The Left Or Right & Roll Back To One Side
Individual Inflation Points	Repair Kit
Dual Beading 4/6mm Fitted To Tunnel	Canvas Holdall Bag
Attachment Points For An Inner Tent	



Dimensions



Optional Extras

SL5001	Techline Secure Straps For Inflatable	1098/1099/1100	Capella Motion Sensor Lights
SL522-B	Driveaway Kit Adaptor	SL5010	Omnibrite LED Starter Kit
1055	Electric Air Pump	SL5011	Omnibrite LED Top Up Kit
SL903	Moto Tudor Annex	SL5012-10K	Battery Pack for Omnibrite LED Kits & Mobile Devices
1093/1094/1095	Nova Lights		

IVY / IVY ELITE



The Innovative Ivy Air Roll Out Awning is manufactured in Climatech SY17 (Ivy Elite) or 210D fabric (Ivy).

The Ivy/Ivy Elite Air is available in two widths of 300 & 350cm by 250cm depth helping create the ideal shade space.

The Ivy/Ivy Elite Air is supplied with side walls and front walls making this a versatile canopy come living space.

The canopy can be simply stored away into the attached PVC bag that can be left on the caravan whilst in transit.

Specifications

Height	Fits Caravans 235 to 250cm
Width	300/350cm
Depth	250cm
Colour	Black/Light Grey
Weight	23kg approx. (Ivy Elite 350)
Kadar Length	Ivy/Ivy Elite - 300-275cm Ivy/Ivy Elite - 350-295cm

Features Included

Roof And Front Leg Supports	Individual Inflation Points
Carry Bag	6mm Beading
Zip In Sides & Front	Manual Pump
Door Mesh	Awning Rail Stops
Heavy Webbing Straps	

Optional Extras

SL5001	Techline Secure Straps For Inflatable
1055	Electric Air Pump
1093/1094/1095	Nova Lights
1098/1099/1100	Capella Motion Sensor Lights
SL5010	Omnibrite LED Starter Kit
SL5011	Omnibrite LED Top Up Kit
SL5012-10K	Battery Pack for Omnibrite LED Kits & Mobile Devices
	Royal Cushioned Carpet



Touring Awning



ClimaTech SY17 IVY ELITE



ClimaTech 210D IVY



Caravan



Air Pump

SUSSEX



The Sussex Sunshade is available in four widths 240/300/360/400cm by 240cm deep.

This is made from all season polyester together with the steel upright poles it is ideal for those sunnier days when shade is needed.

Specifications

Canopy Material	100% Polyester
Size	240/300/360/400 Width x 240cm Depth
Pole	Steel 19/22mm
Weight	6.15kgs approx
Dual Beading	4/6mm Fitted To The Tunnel
Kadar Length	Size 240 - 252cm Size 300 - 312cm Size 360 - 372cm Size 400 - 412cm



HASTINGS



The Hasting Air Sunshade is available in two widths 350/450 by 240cm deep creating a perfect canopy shade for those sunnier days.

This sunshade is easily erected with the single inflation air beam and made from quality Climatech SY17 material with optional side panels for that added protection from wind or to create privacy.

Specifications

Canopy Material	100% Polyester
Size	350/450 Width x 240cm Depth
Pole	Airframe - 10cm
Weight	12kgs approx
Dual Beading	4/6mm Fitted To The Tunnel
Kadar Length	Size 350 - 319m / Size 450 - 422cm

Features Included

Single Point Inflation & Pump Included Pegs, Guylines & Carrybag



SIDE PANELS OPTIONAL EXTRA

ASCOT



The Ascot Utility Tent/Storage Shelter offers the ideal portable solution for all your culinary and storage requirements.

You can easily set it up to accommodate your kitchen supplies and equipment. This versatile tent also provides additional storage space or can transform into a cozy area for relaxation.

Constructed from durable PVC fabric, the Ascot is weather resistant and features a living space measuring 250cm in width and 200cm in depth. For optimal airflow, the Ascot includes an apex vent at the front, along with two large mesh windows on either side, ensuring ample ventilation inside. Additionally, there's a larger PVC window at the rear for even more light.

Specifications

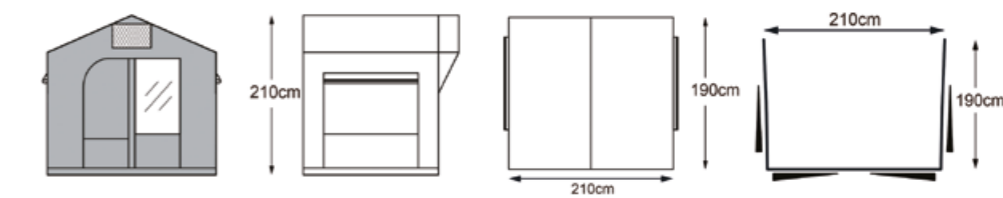
Width	250cm
Depth	200cm
Floor Area	250x200cm
Colour	Dark Grey/Light Grey/Blue
Weight	28kg approx. (Canvas & Frame Combined)
Material	PVC
Frame	25mm Steel

Features Included

Front Zip Pvc Window. This Can Be Rolled To The Middle To Create A Door	Rear Walls With Window & Internal Blinds
Full Mesh Window To Two Side Panels	Carry Bag
	Pegs & Ladders



Dimensions



Optional Extras

SL5001	Techline Secure Straps For Inflatable/Storage Tent	1098/1099/1100	Capella Motion Sensor Lights
1093/1094/1095	Nova Lights	1101	Royal Cushioned Carpet



PVC Material



Techline Buckle

CARNIVAL WINDBREAK



Quick and easy to set up, the Carnival Windbreak gives you ample protection from the wind, whilst providing a little bit of privacy.

Produced in our Climatech 300D fire retardant coated polyester these windbreaks will stand the tests of time.

There are 2 models to choose from, the Carnival Windbreak Lux, which features 4 panels all with tinted windows and roll down blinds and the Carnival Windbreak Standard, which features 4 panels with 2 of the middle panels having tinted windows with no blinds.

Both Windbreaks measure 460x130cm and have a colour combination of Light Grey/Dark Grey.

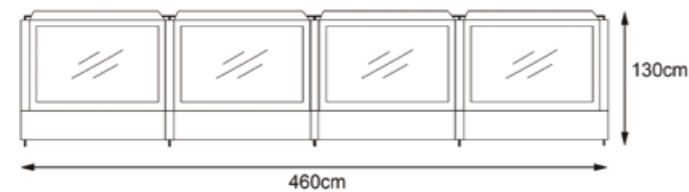
They include a set of 19mm zinc plated poles and are complete with pegs and guy lines.



Optional Extras

SL5057

Windbreak Footplate



BOSWORTH AIR WINDBREAK



The Bosworth Air Windbreak is made from quality 210D material supplied with three panels.

Additional panels can also be purchased and attached as an optional extra to suit your needs.

Each panel has its own inflation point and is 140cm high x 165cm wide with a window at the top giving you both privacy and a view. To aid stability there are straps both sides at the top and bottom, it also has 3 pegging points on each panel. Each panel is hinged with a zip so you can configure the windbreak whichever way you require. An additional caravan adaptor kit can be bought to attach the Bosworth Windbreak directly to the caravan.



Specifications

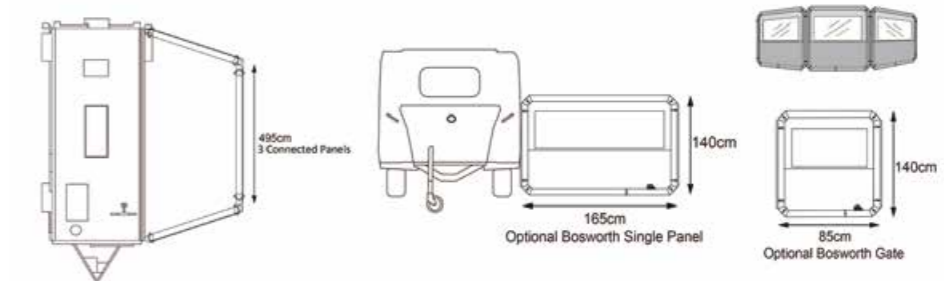
Single Panel Sizes	165cm Wide 140cm High
Material	210D Polyester
Colour	Black/Light Grey
Weight	3kg approx (Single Panel)

Features Included

Single Inflation Points	Guy Lines
PVC Window Panels	Zip Attachment
Three Panels	

Optional Extras

SL5028	Caravan Adaptor Kit
SL521-E	Bosworth Single Panel
SL521-G	Bosworth Gate
SL-AD-HVP	Air Pump
1055	Electric Air Pump



Climatech 210D



Air Pump



Touring Awning



ClimaTech 210D



Air Pump

QUEENSLAND



The Queensland rooftop car tent designed for the adventurous traveller seeking comfort and convenience on the go.

With a spacious width of 140 cm and a depth of 220 cm, it provides ample room for a restful night's sleep under the stars. Constructed from durable 210D material and supported by air and fibre rods, it offers a robust yet lightweight structure.

The aluminium telescopic ladder ensures easy access, while the integrated air mattress and mesh windows to all sides provide comfort and ventilation. The single-point inflation air frame simplifies setup, and the included 12V pump makes inflating the Queensland a breeze. Optional extras include a roof liner and for those chillier adventures a thermo liner. Compatible with most cars fitted with roof racks, The Queensland is a versatile choice for any vehicle. To top it off, the package includes the 1098 Capella Motion Light, ensuring you have ample illumination for your nighttime activities. This rooftop tent is the perfect solution for those seeking an elevated camping experience with all the comforts of home.

Specifications

Width	140cm
Depth	220cm
Colour	Black/ Light Grey
Weight	Weight 59kg approx. (Roof Top Tent (36kg) & Roof Platform (23kg) Combined)
Material	210D
Frame	Air Frame / Fibre Canopy Rods

Features Included

Support Base	200x120x10cm Polyester Mattress
Air Mattress	Bottom Plate Size 120 X180cm
Fly Screens	12 V Pump Included
Travel Canvas Cover	Logo Printed Travel Cover
Single Point Inflation Air Frame	Can Be Mounted On Most Cars With Installed Racks
Mesh Windows	1098 Capella Motion Light X 1
Integrated Mattress	
Aluminium Telescopic Ladder (2.3m)	



Optional Extras

SL602V	Roof Liner	1093/1094/1095	Nova Lights
SL5205	Thermo liner	1098/1099/1100	Capella Motion Sensor Lights





ClimaTech 210D



Air Pump

ADELAIDE



The Adelaide Rear Car Tent is designed for comfort and convenience.

Boasting a generous width of 250cm and depth of 350cm, this tent offers ample space for a comfortable camping experience.

Designed to fit your typical family car, the Adelaide comes with a multitude of adjustable velcro straps, guy ropes, pegging points, a bungee to go under the vehicle wheel arch and two canopies that go over the car, all to give the best possible fit for your vehicle. The front of the Adelaide has a door with a large window with an internal blind and a canopy above making sure to cover you on those wet mornings. The interior is equipped with inner storage pockets and internal privacy blinds, ensuring your belongings are organized and you have the privacy you need. The tent also features Techline zips for smooth operation, sewn-in groundsheet for added protection, and fold-flat door entry points for convenience. Canopy poles, pegs, and a manual air pump are also included. There is also the option to add a tall annexe to extend the living area or create additional sleeping space making this tent a comprehensive package for your outdoor adventures.

Specifications

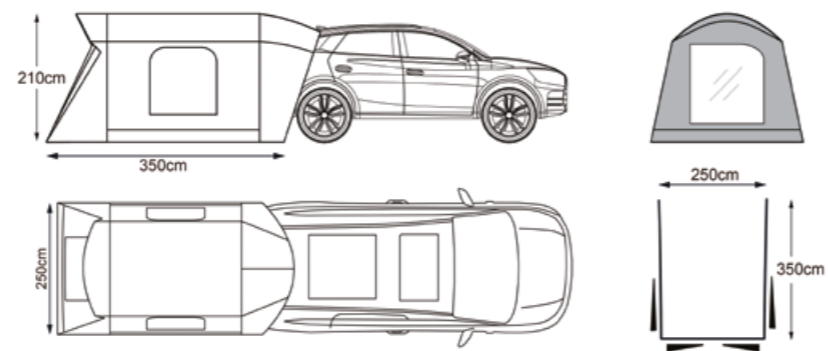
Width	250cm
Depth	350cm
Tunnel	100cm+
Colour	Dark Grey
Weight	Weight 15kgs (approx.)
Material	210D
Frame	Air / Alloy Poles

Features Included

Inner Storage Bag	Internal Privacy Blinds
Individual Inflation Points	Sewn In Groundsheet Main Body
Full Flyscreen Ventilation On Each Side	Fold Flat Door Entry Points
Highly Visible Guy Ropes	Canopy Poles Included
Techline Zips	Pegs
Canvas Holdall Bag	Manual Air Pump



Dimensions



Optional Extras

SL908	Adelaide Tall Annex	1093/1094/1095	Nova Lights
IT103	Adelaide Tall Annex Inner Tent	1098/1099/1100	Capella Motion Sensor Light



Image above shows optional annex



SUNTREK ATLAS

The Suntrek Atlas is created with the latest air technology and fibreglass roof pole mix to provide the best awning with the simplest setup.

This innovative combination ensures that setting up your awning is both quick and hassle-free, allowing you more time to enjoy your outdoor adventures.

The robust yet lightweight materials constructed from 185T fire-retardant coated polyester offers exceptional durability and stability. The Atlas features a sleek and modern design. Whether you're embarking on a weekend camping trip or an extended journey, this awning promises comfort, convenience and peace of mind. The Atlas includes high-quality zippers to add reliability, ensuring your awning remains secure and intact throughout. With its blend of advanced technology, practical features, and stylish design, the Atlas truly stands out as an exceptional choice for outdoor enthusiasts seeking both functionality and comfort.

Specifications

Floor Size	Atlas 280 / 280 (W) X 240 (H)cm
Floor Size	Atlas 400 / 400 (W) X 240 (H)cm
Weight	19kg approx (Atlas 400)

Features Included

One Side Mesh Door	Atlas 280 Left Door Rolls To The Side.
Manual Air Pump	The Right Side Can Be Taken Out
Pegs & Guy Ropes Included	(Looking At The Awning) Atlas 400 The
Blinds For The Windows	Centre Can Be Taken Out. The Sides Roll
Dual 4/6mm Beading	To The Side (Looking At The Awning)
Wheel Arch Cover & Draft Skirt	Carry Bag

Optional Extras

SL5001	Techline Secure Strap For Inflatable
SL570-C	Alloy Vertical Pole



ATLAS 280



ATLAS 400

SUNTREK SATURN

The easy pitch Suntrek Saturn porch has a superb design and uses advanced materials and production methods to guarantee quality whilst offering exceptional value for money.

The Suntrek Saturn porch awning is extremely easy to pitch, durable and ideal for couples or caravanners who simply need additional external space for sitting, entertaining, or taking off their camping gear. Constructed from 185T fire-retardant coated polyester material these awnings are strong and amazingly durable. They include standard alloy roof poles and rear upright support as well as roll down privacy blinds making this awning simple, practical, and affordable.

Floor sizes of	260x240cm or 390x240cm
Fits caravan heights	between 235-250cm
Weight	17.5kg approx (Saturn 390)
Roll Up Front Panels	Guy Ropes Included
Side Door Access & Mesh	Manufactured From 185t Material
Roll Down Window Covers	Fibreglass Rods, Steel Poles & Back Support Poles Included
Draft Skirt & Pegs Included	



SUNTREK VENUS

The Suntrek Venus is a versatile solution designed for campers with vehicles of varying heights, accommodating both low (180-235cm) and high (235-295cm) motorhomes.

The awning can remain on the pitch as a standalone driveaway awning allowing you to drive away whilst leaving the awning secure. Setting up the Venus is a breeze, thanks to its intuitive design. The awning comes with adjustable guy lines and pegs, allowing for a secure and stable setup on various terrains. Inside, you'll find plenty of space for relaxing, dining, or storage, making it an ideal addition to any camping adventure. The awning includes a spacious living area which provides a comfortable spot to unwind.

Floor sizes of	300 (W) x 300 (D) x 230 (H)cm	Left Side Fitted With A Mesh
Weight	16kgs approx (Venus High)	Canopy Poles Included
Fibreglass Poles		Front Panel Comes Out
Canopy Pole		Fly Screen On One Half
Carry Bag		Roof Top Ventilation
Sewn In Groundsheet		Weight 16kg Approx
Blinds On Windows To Front And Side		Door In The Right Side Of The Connecting Tunnel



SUNTREK PANDORA

The Suntrek Pandora pop up windbreak is a versatile and convenient addition to any outdoor adventure.

Designed with ease of use in mind, it sets up in mere minutes, providing instant shelter from the wind and creating a cozy, protected space for your trip. Crafted from durable materials (210D), the Pandora windbreak is built to withstand the

elements, ensuring that you stay comfortable no matter the weather.

Its lightweight and compact design make it easy to transport and store, making it perfect for camping trips, beach outings, or even just a day in the park. With the Pandora Pop Up Windbreak, you can enjoy the great outdoors with peace of mind, knowing you have a reliable shield from the wind.

Features Included

Fibreglass Pop Up System Sizes

3 Panel - 360 (W) X 120 (H)cm
4 Panel - 500 (W) X 125 (H)cm
2 x Stand Poles
Steel Pegs
Carry Bag
Weight 6kg approx.

ANNEXES & INNER TENTS

Most of our awnings can have an additional annex and inner tent designed to complement your awning perfectly.

These features are ideal for expanding your space, creating a sleeping area, or providing extra storage while using your awning.



SL908 Adelaide Tall Annex
IT103 Adelaide Tall Annex Inner Tent



SL917 Viscount & Starline Elite Annex
IT091 Tall Annex Inner Tent



SL918 Starline Elite Infinity Room (Left or Right Hand)
IT101 Starline Elite Infinity Room Inner Tent



SL944-KB Tall Annex DL With Blinds
IT091 Tall Annex Inner Tent



SL901 Count DL Tall Annex
IT091 Tall Annex Inner Tent



SL902 Hampton DL & Countess Tall Annex
IT091 Tall Annex Inner Tent



SL903 Motor Tudor Annexe
No Inner Tent Available



SL944-P-TA Tall Annex For Cayman & Duchess
IT091 Tall Annex Inner Tent



SL945-K-SA Standard Annex For Seasonal
No Inner Tent Available



SL914IV Starline Tall Annex
IT091 Tall Annex Inner Tent



SL916 Moto Crown Annex
IT094 Moto Crown Annex Inner Tent



SL906 Moto Windsor Tall Annex
IT099 Moto Windsor Tall Annex Inner Tent



SL907 Moto Crown Elite Tall Annex
IT097 Moto Crown Elite Tall Annex Inner Tent



SL915II Kensington & Duke DL Tall Annex
IT091 Tall Annex Inner Tent



SL905 Moto Crown Tall Annex
IT100 Moto Crown Tall Annex Inner Tent



SL9002 Moto Canterbury Tall Annex
IT091 Tall Annex Inner Tent



HARD ROCK STEEL PEGS
20pcs - Orange
ITEM NO. 1002
ITEM NO. 1003 - 14pcs Black



STEEL SCREW PEGS
(13mm HexHead) x 14pcs - Black
ITEM NO. 1004



INFLATABLE DRAUGHT EXCLUDER
ITEM NO. SL5203-220 - (220 x 30cm)
ITEM NO. SL5203-270 - (270 x 30cm)



AWNING RAIL PROTECTOR
ITEM NO. 1013 - 12m Roll
* Colour may vary



NOVA SET OF 4 HANGING LIGHTS
ITEM NO. 1093 - Rose Gold
ITEM NO. 1094 - Black
ITEM NO. 1095 - Silver



CAPELLA MOTION SENSOR LIGHTS
ITEM NO. 1098 - 3 Pack
ITEM NO. 1099 - 2 Pack
ITEM NO. 1100 - 1 Pack



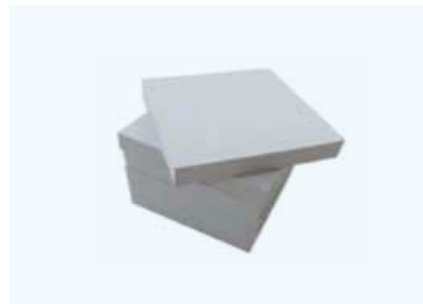
LED LIGHT KIT
For Both Inflatable & Traditional Awning
ITEM NO. SL5010 - Starter Kit
ITEM NO. SL5011 - Top Up Kit Kit



LUNA 2-in-1 FAN & LIGHT
ITEM NO. 1053 - 8.7 x 6.9 inches
Power: 4 x 1.5v Batteries (C)



MOTO TWIN DRIVE AWAY FIXING KIT
ITEM NO. SL5058



TECH PADS
ITEM NO. SL5020



RUBBER Mallet
ITEM NO. 1000 - Wooden Handle 16Qz
ITEM NO. 1001 - Steel Handle 16Qz



UNILOK BRACKET PAD
ITEM NO. SL539B - Unilok Bracket Pad (x1)
ITEM NO. SL539 - Unilok Bracket Pads (x3)



LYRA ELECTRIC FAN HEATER
ITEM NO. 1087



VICTORIA MELAMINE DINNER SET
ITEM NO. 1014



SOVEREIGN MELAMINE DINNER SET
ITEM NO. 1015



IMPERIAL SLEEPING BAG
ITEM NO. 1085 - King Size
ITEM NO. 1086 - Super King Size



TENT PEG PULLER
ITEM NO. 1005



MANUAL AIR PUMP
ITEM NO. SL-AD-HVP



ELECTRIC AIR PUMP
ITEM NO. 1055



GRIPLOCK CLAMP
ITEM NO. SL596B - Griplock Clamp x 1
ITEM NO. SL569 - Griplock Clamp x 3



WINDBREAK FOOTPLATE
ITEM NO. SL5057



REGAL CARPET



ROYAL CUSHIONED CARPET



ROOF LINER



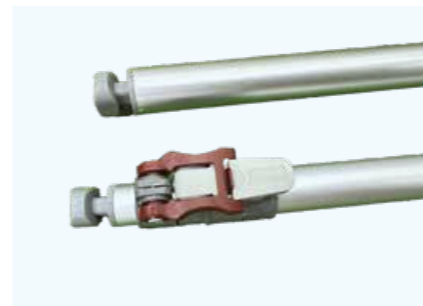
TECHLINE SECURE STRAP SET
ITEM NO. SL5001 - For Inflatables



TECHLINE SECURE STRAPS
ITEM NO. SL500



TECHLINE SECURE CENTRE STRAP
ITEM NO. SL580



ALLOY VERANDA POLES
ITEM NO. SL517-J- Starline Elite 260/300/390
ITEM NO. SL517-K- Starline Elite 200



UPGRADED ALLOY VERANDA POLE FOR KENSINGTON & HAMPTON DL
ITEM NO. SL532E - Size 6-9 (and Duke)
ITEM NO. SL532F - Size 10-13
ITEM NO. SL532G - Size 14-17
ITEM NO. SL532H - 18-22



WINTER KIT FOR PRINCESS
ITEM NO. SL5088



CURTAIN UPGRADE



CAMPTECH AWNINGS CARRY BAG
ITEM NO. SL5019



INFLATABLE VERANDA BARS FOR VISCOUNT 400
ITEM NO. SL517-F - Front Veranda Bar
ITEM NO. SL517-G - Side Front Veranda Bar



ALLOY VERTICAL POLES
ITEM NO. SL570-C



VERANDA POLE WITH CLAMP
ITEM NO. SL527-A: 1.9m to 2.6m (size 8-13)
ITEM NO. SL527-B: 2.5m to 3.75m (size 14-19)



PROTECH ROOF RAISER BAR
ITEM NO. SL528A - Size 14-16
ITEM NO. SL528B - Size 17-19
ITEM NO. SL528C - Size 20-22
ITEM NO. SL528D - Size 11-13



ROOF RAFTER FOR FULL AWNING
ITEM NO. SL529-C - Including Buckingham



STORM LEG POLES
ITEM NO. SL530



ALLOY VERANDA POLE FOR KENSINGTON & HAMPTON DL
ITEM NO. SL532A - Size 6-9 & Duke
ITEM NO. SL532B - Size 10-13
ITEM NO. SL532C - Size 14-17
ITEM NO. SL532D - Size 18-22



VERANDA BARS FOR STARLINE
ITEM NO. SL517-C - Starline/Starline Elite 300
ITEM NO. SL517-I - Starline/Starline Elite 200
ITEM NO. SL517-VB - Starline/Starline Elite 260/390
ITEM NO. SL517-K - Starline Elite 200
ITEM NO. SL517-J - Starline Elite 260/300/390

JOIN THE CAMPTECH CLUB TODAY!

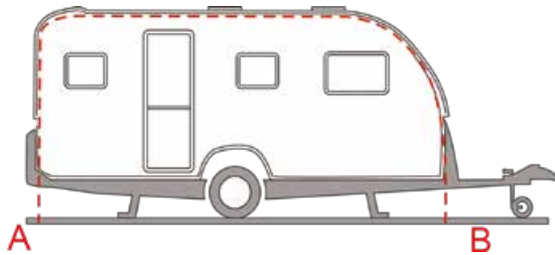
Claim an additional 12 Months Warranty FREE OF CHARGE

Members of the CampTech Club will enjoy exclusive newsletters featuring updates, special competitions, and giveaways.

www.camptech.com/camptech-club

For full terms and conditions please visit our website

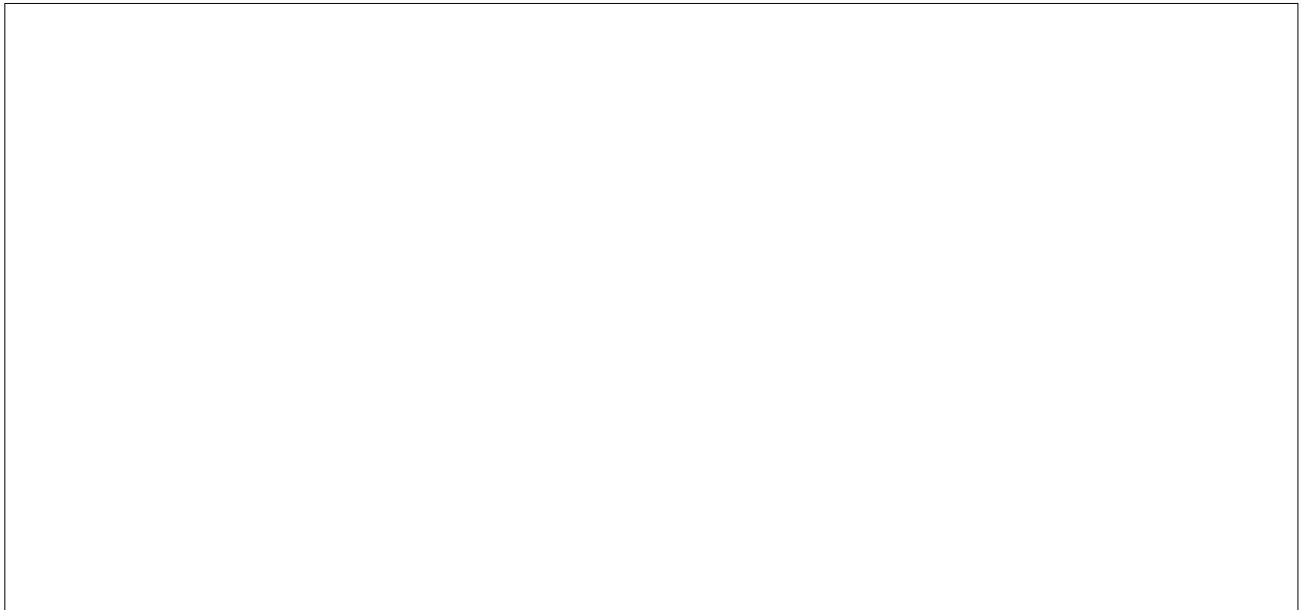




When choosing your awning it is vital that you know the size (A measurement) of your caravan.

Measure your caravan from point A to point B in cm as shown in the picture. The measurement from ground to ground is the "A" measurement that can then be checked with the size chart to identify which awning size will fit your caravan.


NOTE: ALL MEASUREMENTS SHOWN BELOW ARE IN CENTIMETRES



SIZE	4	5	6	7	8	9	10	11	12	13	14	15	16	17	18	19	20	21	22
A - Measurement	725-750	750-775	775-800	800-825	825-850	850-875	875-900	900-925	925-950	950-975	975-1000	1000-1025	1025-1050	1050-1075	1075-1100	1100-1125	1125-1150	1150-1175	1175-1200



Camp Tech Products Limited
 Unit 36-37
 Stretford Motorway Estate
 Barton Dock Road
 Stretford
 Manchester
 M32 0ZH

 info@camptech.com

[www.facebook.com](https://www.facebook.com/camptechproducts) - camptechproductsltd

[www.instagram.com](https://www.instagram.com/camptechproducts) - camptechproducts

[www.x.com](https://www.x.com/camptechproduct) - camptechproduct

[www.threads.net](https://www.threads.net/camptechproducts) - camptechproducts

[www.youtube.com](https://www.youtube.com/camptechproductslimited) - camptechproductslimited



www.camptech.com